

General notes

Intended use

Read the usage and maintenance instructions carefully before assembling the key box. Keep the manual with you for future use. If the product is passed on to any third party, be sure to include the manual with it.

Warning: As long as the product is assembled and operated correctly and in accordance with the manual, no hazards are to be expected. Small parts and packaging materials can be swallowed by children and lead to choking! Make sure that small parts and packaging materials are kept out of the reach of children. Dispose of the packaging material immediately.

Please read the operating manual before using the device. The key box MUST NOT be disassembled. Please handle the device with care.

The manufacturer expressly reserves the right to make technical changes.

Disclaimer

The manufacturer accepts no liability for damage or injury caused by improper handling.

Disposal

Do your bit to protect the environment and dispose of the product and packaging materials correctly in accordance with local regulations. Do not dispose of the device in household waste!

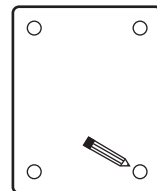
ASSEMBLY:

Step 1:

Open the key safe by setting the digits (2) to the starting position 0-0-0 and then pressing the rotary knob (1). Now pull the door of the key box towards you.

Step 2:

Mark the boreholes at the desired drilling point. Please use the back of the key box as a template.



Step 3:

Drill the boreholes.



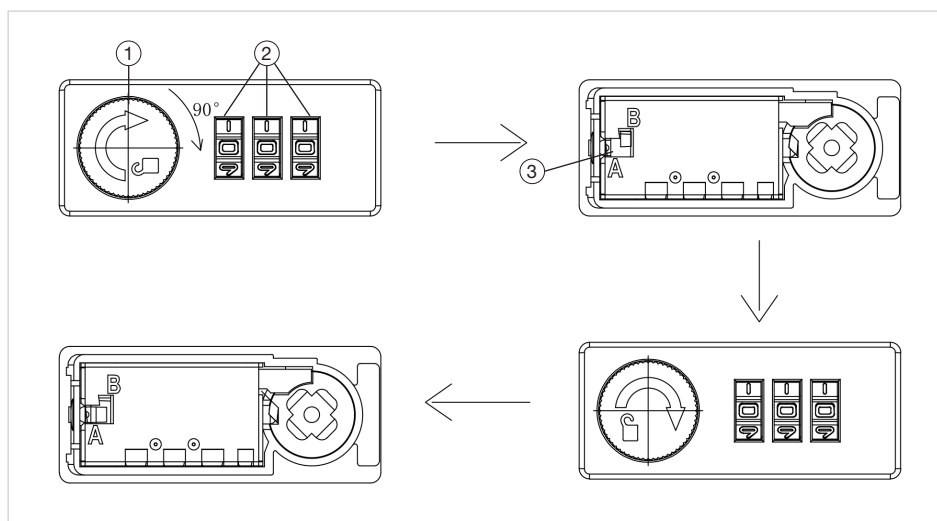
ATTENTION! Make sure that cables or pipes are not routed along at the selected drilling point. This can pose a risk of injury or of damage to the surrounding area.

Step 4:

Insert the dowels into the boreholes.



NOTE: Note that the supplied fastening material might prove to be unsuitable for the desired mounting location. You can purchase fastening material that corresponds to your needs from a DIY store.



Step 5:

Hold the key box against the borehole and fasten the screws into the dowels using a screwdriver. Screw the key box tightly in place.

Scope of delivery:

- Key Box
- Assembly material
- Operating manual

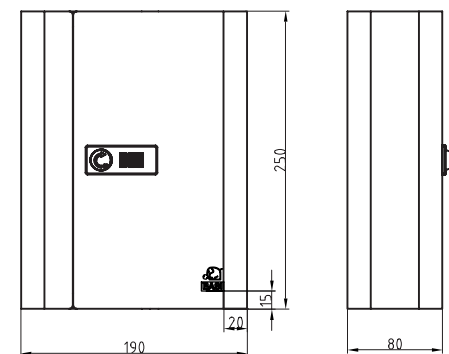
Product details

- ① Rotary knob opener
- ② Digits
- ③ Reset switch

Technical specifications	
Housing	Anthracite steel
Hooks	20
Security combination lock	with 3 digits 1000 possible combinations
Overall dimensions	H250 x W200 x D80 mm

Change the numeric password

1. Set the reset switch (3) to position B.
2. Set your desired 3-digit numeric password and make a note of it.
3. Set the reset switch (3) back to position A. Your new numeric password is now set.
4. Close the door of the key box.



© Copyright

Reprinting or reproduction (even excerpts thereof) is forbidden without approval of:
BASI GmbH
Konstantinstraße 387
41238 Mönchengladbach
Germany

2024

This publication, including all its parts, is protected by copyright.

The use of any material exceeding the strict boundaries of copyright law without the consent of BASI GmbH is prohibited and punishable by law.

This applies specifically to reproductions, translations, microfilming and the feeding and processing in electronic systems.

BASI GmbH
Konstantinstraße 387
41238 Mönchengladbach
Germany

Key Box

Steel anthracite matt

SK 80-20



3 digit combination lock

With 20 hooks

Timeless design

ASSEMBLY/OPERATING MANUAL



facebook.com/BASIGmbH



@basi_gmbh



www.basi.eu