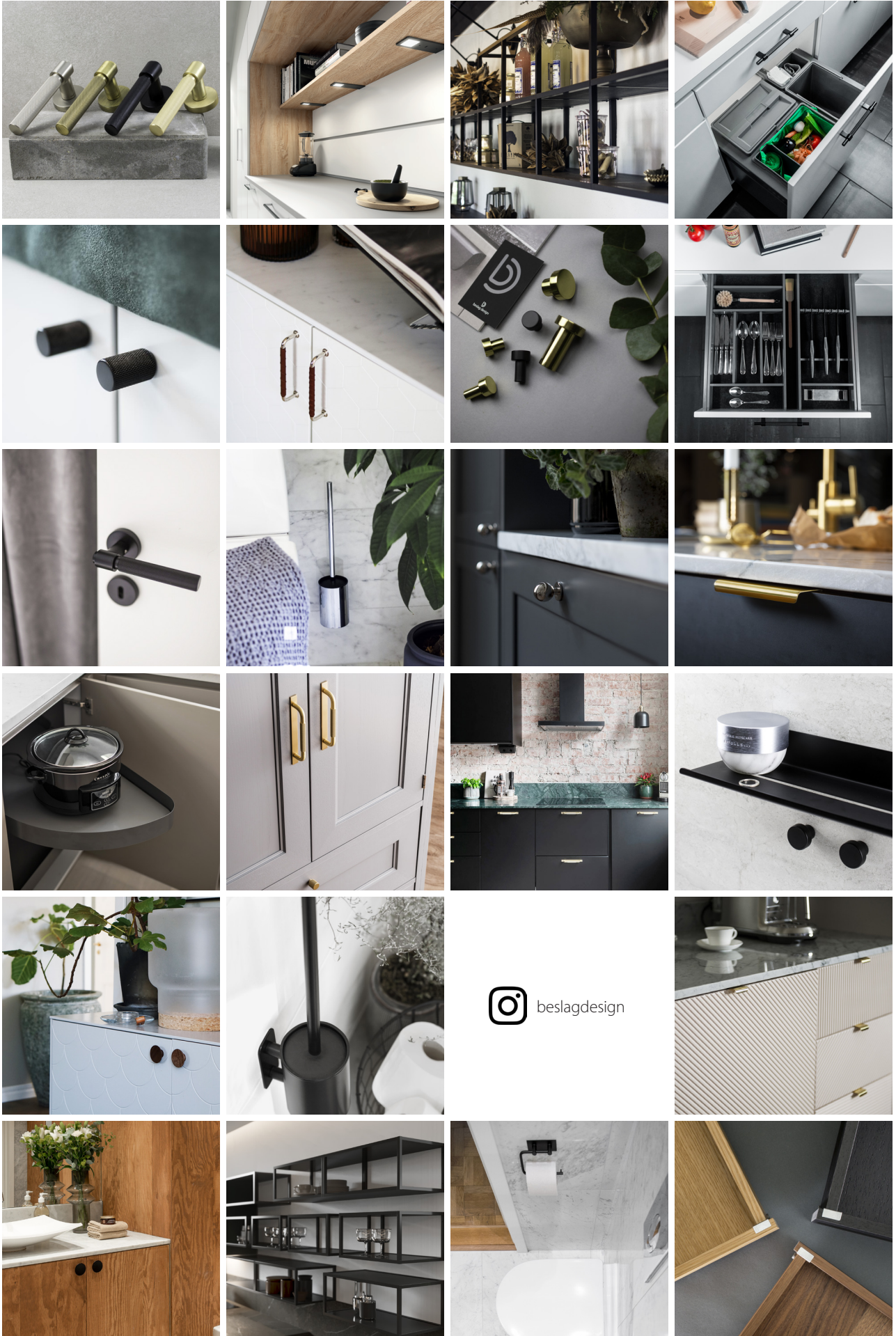


2020

Lighting Beslag Design





What would life be without lighting?

How would it be without light above the kitchen sink? Or without lights in the wardrobe? Life would be a bit more complicated for sure. But besides having a purely practical function, the details complement the rest of the interior and showcase the room designer's personality and nature. And this also applies to lighting, no environment is complete without lighting. Create effective environments and achieve the right mood with lighting in your home.

Furnish with light is an art that to our delight is appreciated by more and more. Properly located light sources change our indoor environment and create well-being. It is not just about aesthetics but also about packaged technical solutions.

At Beslag Design, we keep up with the latest trends and classics that never go out of fashion. The details that withstand life. That soften or formalise, that stick out or blend in. In our website, you find handles, lighting, legs, storage, knobs and fittings. It's all in the details, really.

Cover image: Kitchens.se by Paul

Photographer: Adam Helbaoui, instagram @kronfoto





- 01.** LED-spots s. 6-15
- 02.** LED-profiles s. 16-27
- 03.** LED-strips s. 28-37
- 04.** LED-luminaires s. 38-47
- 05.** Dimmers & sensors s. 48-57
- 06.** LED-drivers & accessories s. 58-67
- 07.** Smart electrical outlets s. 68-73
- 08.** Sign explanation s. 74
- 09.** Wiring diagrams s. 76-79

We reserve ourselves for any printing errors or other errors.

01. LED-spot

A new generation of LED-technology provides a crystal clear light with excellent color reproduction with no visible diodes.



Photo: Evelina Andersson - Instagram @makeupevelina

LED-spot **Atom**



Atom is a powerful, recessed LED-spot with no visible diodes and with a recess depth of only 8 mm.



Accessories

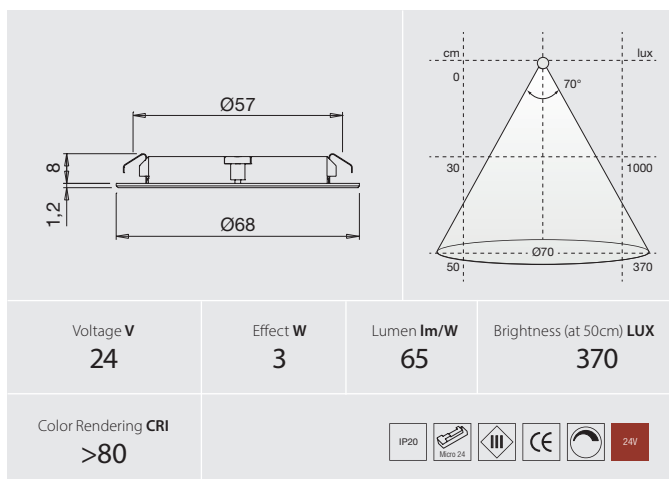
Distance ring Atom

Art.nr. 972563 Stainless steel

Art.nr. 972564 White

Finish	Art.nr	Color temp.	Ø	H	Inf.D	Inf. Ø
● Stainless steel	973433	2700K	68	9,2	8	57
● Stainless steel	973430	3000K	68	9,2	8	57
● White	973429	2700K	68	9,2	8	57
● White	973431	3000K	68	9,2	8	57
● Black	973434	2700K	68	9,2	8	57
● Black	973432	3000K	68	9,2	8	57

i Connection cable: 2000 mm.





NO VISIBLE DIODS | ONLY 5 MM | EASY TO ASSEMBLE

Polar SE is an extremely thin LED-light made entirely of aluminum, only 5 mm in thickness, which is perfect to put under shelves and kitchen cabinets. With its fixed installation in direct contact with the wall, the cable becomes easy to attach behind eg. the cabinet and avoid unnecessary holes. Polar SE uses the latest LED technology and has no visible diodes.



Finish	Art.nr	Color temp.	L	B	D
● Stainless steel	973420	3000 K	190	70	5
● Matt black	973421	3000 K	190	70	5
● White	973422	3000 K	190	70	5

(i) Connection cable: 2000 mm.

Voltage V 24	Effect W 5	Lumen lm/W 65	Brightness (at 50cm) LUX 550
Color Rendering CRI >80			

LED-spot **Polar SE SDM**

Polar SE SDM comes with a special distributor that allows you to connect the Polar SE SDM (master) with other Polar SE (slave) devices. This allows you to create sets of Polar SE, where all units are linked together with a dimmable on / off sensor on the Polar SE SDM.

Finish	Art.nr	Color temp.	L	B	D
● Stainless steel	973426	3000 K	190	70	5
● Matt black	973427	3000 K	190	70	5
● White	973428	3000 K	190	70	5



NO VISIBLE DIODS | ONLY 5 MM | EASY TO ASSEMBLE

Vega is an extremely thin LED lighting made entirely of aluminum with a thickness of only 5 mm. The luminaire has a special LGP LED cluster that provides a wide, clear light with no visible diodes. Vega is designed for quick mounting with only two screws. This makes it easy to attach the cable behind eg. the cabinet and avoid unnecessary holes. Vega uses the latest LED technology and has no visible diodes.



Finish	Art.nr	Color temp.	L	B	D
● Stainless steel	973441	2700 K	170	50	5
● Matt black	973440	2700 K	170	50	5

ⓘ Connection cable: 2000 mm.

Voltage V	Effect W	Lumen lm/W	Brightness (at 50cm) LUX
24	5	60	450
Color Rendering CRI			
>80			

LED-spot **Vega SDM**

Vega SDM comes with a special distributor that makes it possible to connect Vega SDM (master) with other Vega (slave) devices. This allows you to create sets of Vega, where all units are linked together with a dimmable on / off sensor on the Vega SDM.

Finish	Art.nr	Color temp.	L	B	D
● Aluminum	973444	2700 K	170	50	5
● Matt black	973443	2700 K	170	50	5

 Connection cable: 2000 mm.



NO VISIBLE DIODES | 8.5 MM RECESS DEPTH

STELLA FLAT is an updated version of Stella LED-spot that was launched in 2011. Stella is equipped with COB technology (Chip-on-Board). The technology means that the LEDs can be mounted very tightly and directly on the circuit board, which gives a crystal clear light with no visible diodes. At the same time, energy consumption can be lowered as the number of components passing the current between the circuit board and the diode is reduced.

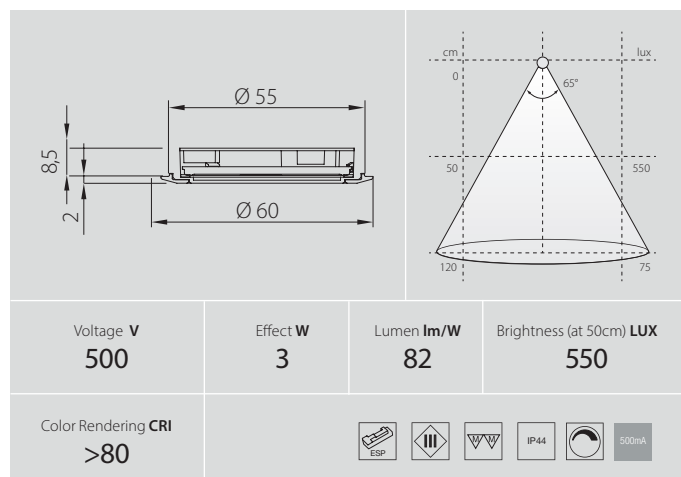


Finish	Art.nr	Color temp.	Ø	Inf.D	Inf. Ø
● White	972731	3000K	60	8,5	55
● Stainless steel	972735	3000K	60	8,5	55
● Stainless steel	972738	2700K	60	8,5	55
● Black	972740	3000K	60	8,5	55
● Black	972741	2700K	60	8,5	55

ⓘ Connection cable: 2000 mm.

Accessories

Distance ring Stella Art.nr. 972792 alu-look Art.nr. 972831 white	LED-driver TRIAC 500 mA/18W complete with terminal and connection cable. Art.nr. 971223
Voltage regulator 5V <i>Use when one or two LED-spots load the drive.</i> Art.nr. 971227	ESP extension cable Art.nr. 972721



LED-spot **Stella Flat**

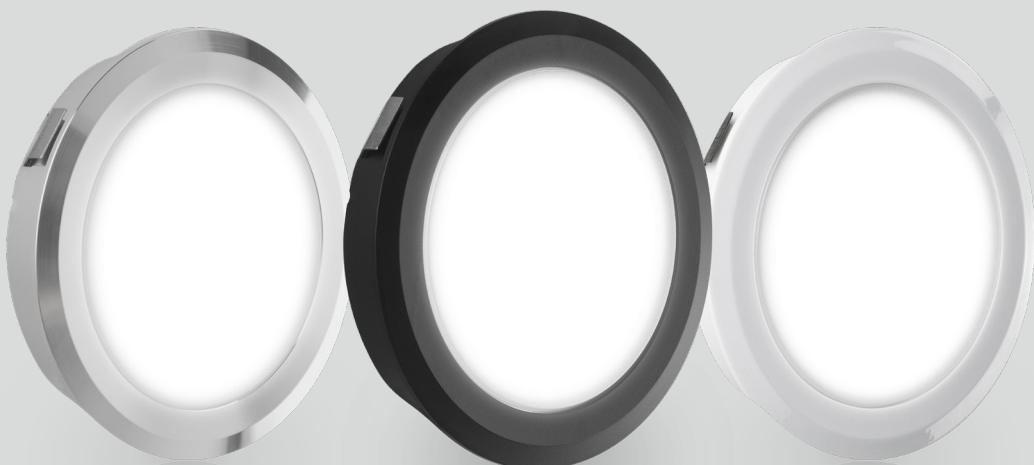
8.5 mm recess depth. Stella Flat has a recess depth of at least 8.5 mm. The thin luminaire gives a larger margin when mounted in e.g. shelves and bases. The light has an even distribution thanks to the large number of LEDs. easier LED spots with fewer LEDs lack this homogeneous light.

With Stella Flat mounted in 16 mm frame you get a 7.5 mm margin.

Stella Flat
8.5 mm recess depth



120°





Smally XS IP44 is a series of LED-spots with a fantastic light, with no visible diodes and IP44 rated for installation in wet space.



Finish	Art.nr	Color temp.	Ø	H	Inf.D	Inf. Ø
Stainless steel	973480	3000K	64	13,2	12	57
White	973481	3000K	64	13,2	12	57
Dark grey	973482	3000K	64	13,2	12	57

① Connection cable: 2000 mm.

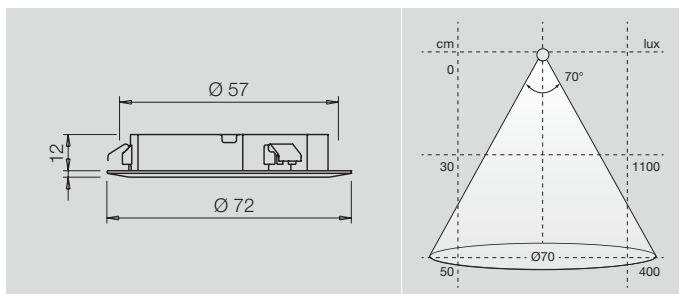
Accessories

Distance ring Smally XS

Art.nr. 973435 Stainless steel

Art.nr. 973436 White

LED-driver s. 58-67



Voltage V 12	Effect W 3	Lumen lm/W 120	Brightness (at 50cm) LUX 400
Color Rendering CRI >80			

LED-spot **Smally XS PLUS**



Smally XS Plus is a series of LED spots with fantastic light without visible diodes and a unique plug & play system with quick connectors for easier wiring.



Finish	Art.nr	Color temp.	Ø	H	Inf.D	Inf. Ø
Stainless steel	973485	3000K	64	13,2	12	57
White	973486	3000K	64	13,2	12	57
Dark grey	973487	3000K	64	13,2	12	57

i Connection cable: 2000 mm.

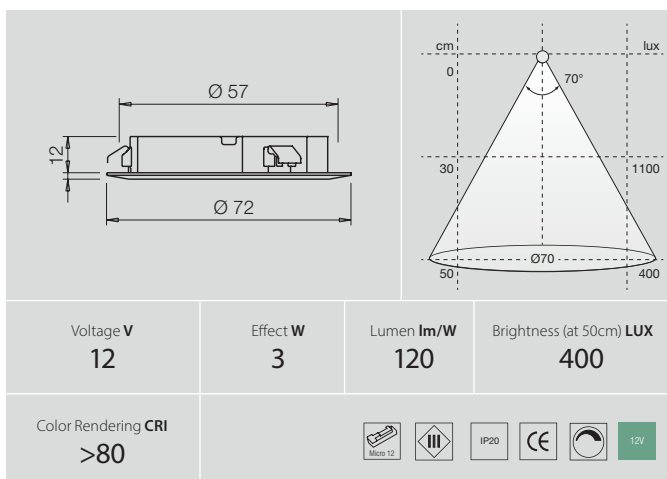
Accessories

Distance ring Smally XS

Art.nr. 973435 Stainless steel

Art.nr. 973436 White

LED-driver s. 58-67



02. LED-profiles

LED-profiles give you new opportunities to install flexible LED-strips. In the bookshelf, under the cupboard, surface or recessed, angled or straight.



Design: Kitchens.se by Paul. Photo: Adam Helbaoui, instagram @kronfoto

LED-profile **Apex**



Apex is a recessed LED-profile that can be set both vertically and horizontally. The profile is adjusted with different end finishes depending on whether it is used for through grooves or not. With our LED-strips, Apex provides a homogeneous light without visible diodes.



Finish	Art.nr	L	B	D	Inf. D	Inf. B
● Profile - Opal	973351	2000	10	10,5	11	9

Accessories

Delivered with 2-pack for through track and 2-pack for milled track.

Art.nr. 973355

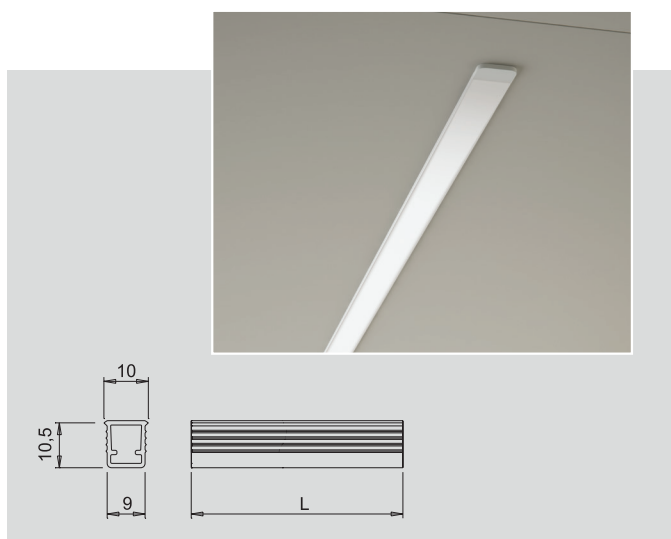


(for blind tracks)



(for through tracks)

Supplement with LED-strip Flexy LED HE6 PW PRO s. 32, SHE6 PW PRO s. 33 or Flexy LED UHE6 PW s. 37





Miss is a decorative LED-profile for Apex that is placed horizontally in eg bookshelves or under kitchen cabinets. Supplement with LED-profile Apex and Apex end caps for through tracks.



Finish	Art.nr	L	B	H	Inf. B	Inf. D
● Profile - Dark grey	973361	2000	15	1,2	12,3	13,5
● Profile - Stainless steel	973362	2000	15	1,2	12,3	13,5

Accessories

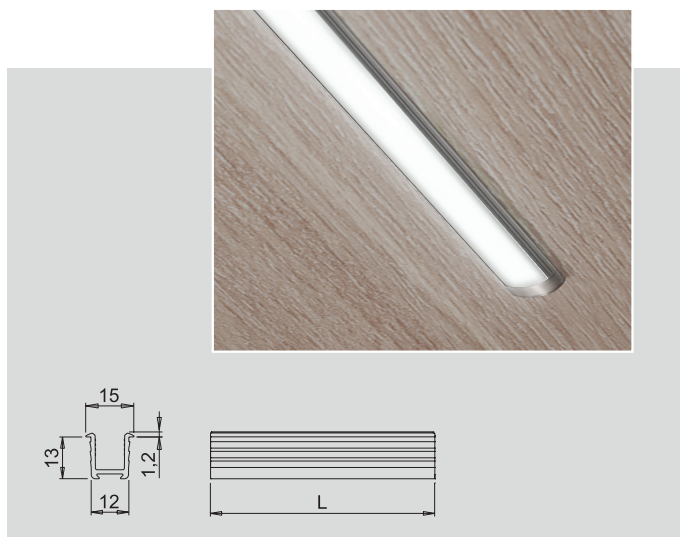
End caps Dark grey 2-pack

Art.nr. 973365

End caps Stainless steel 2-pack

Art.nr. 973366

Supplement with LED-profile Apex s. 17, LED-strip Flexy LED HE6 PW PRO s. 32, SHE6 PW PRO s. 33 or Flexy LED UHE6 PW s. 37



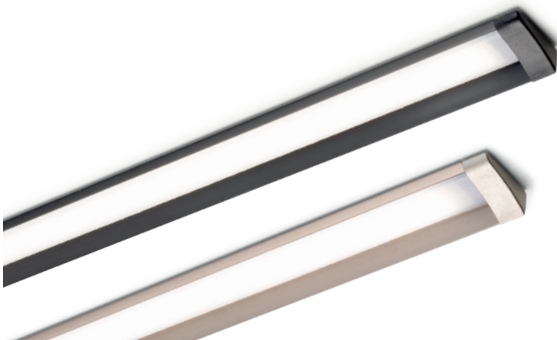
LED-profile Apex
with LED-strip Flexy HE6



Design: Kitchens.se by Paul. Photo: Adam Helbaoui, instagram @kronfoto



Lab is an aluminum profile that gives a glare-free light thanks to its shielding edge. Instead, the light spreads downwards and inwards and ideally lights up wardrobes, cupboards and bookshelves.



Finish	Art.nr	L	B	H	Inf. B	Inf. D
● Profile - Dark grey	973371	2000	15	6	12,3	13,5
● Profile - Stainless steel	973372	2000	15	6	12,3	13,5

Accessories

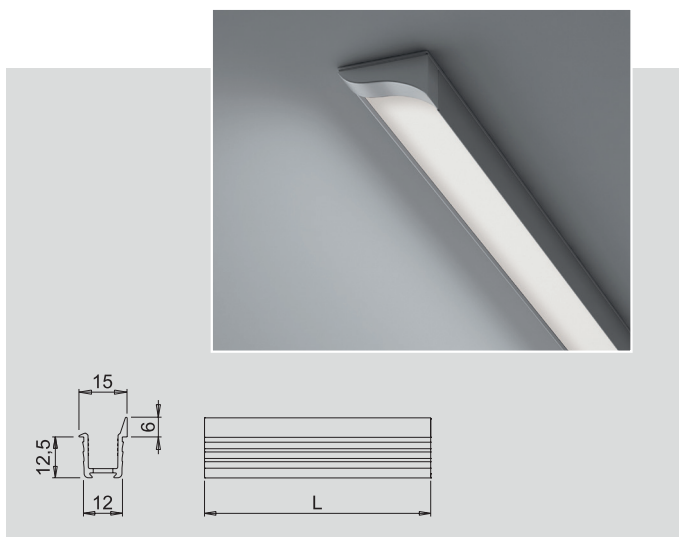
End caps Dark grey 2-pack

Art.nr. 973375

End caps Stainless steel 2-pack

Art.nr. 973376

Supplement with LED-profile Apex s. 17, LED-strip Flexy LED HE6 PW PRO s. 32, SHE6 PW PRO s. 33 or Flexy LED UHE6 PW s. 37



LED-profile **Blade**

Blade is a profile that is only 10 mm thick and is characterized by an asymmetric light projection that gives a glare-free light. Designed for surface mounted wall installation, comes with concealed mounting clips.



Finish	Art.nr	L	B	D
● Profile - Matt black	973650	2000	21	10
● Profile - Aluminum	973651	2000	21	10

Accessories

End caps Matt black 2-pack

Art.nr. 973655

End caps Aluminum 2-pack

Art.nr. 973656

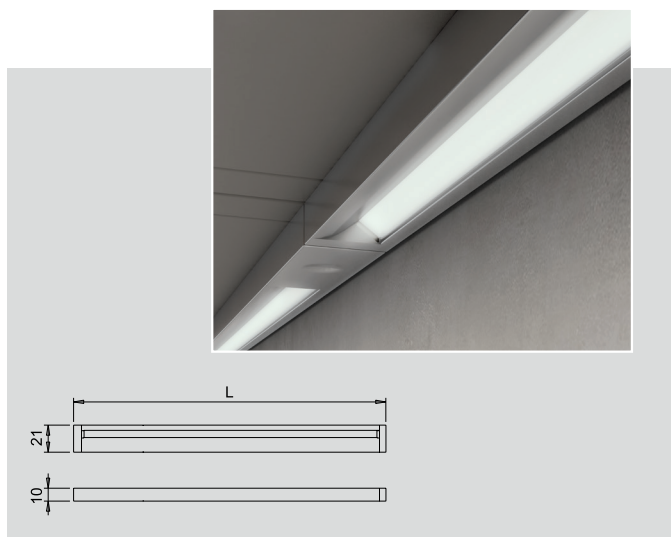
Mounting kit

Art.nr. 973657

Diffuser Opal

Art.nr. 973652

Supplement with LED-strip Flexy UHE6 PW sid. 37





Minimalist LED-profile with wide scatter angle and glare-free light. The angled surface gives a directional light and the profile fits perfectly to illuminate a shelf, for example. The black profile and the black diffuser cause the luminaire, effectively, to be camouflaged as it is mounted in frames with dark colors.

Finish	Art.nr	L	B	D
● Profile - Aluminum	973570	2000	13	6,4
● Profile - Black	973571	2000	13	6,4

Accessories

Diffuser Opal

Art.nr. 973575

Diffuser Black

Art.nr. 973576

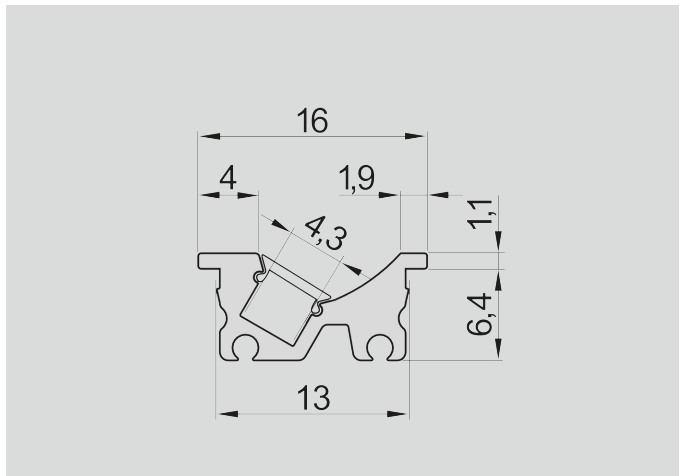
End caps Aluminum

Art.nr. 973577

End caps Black

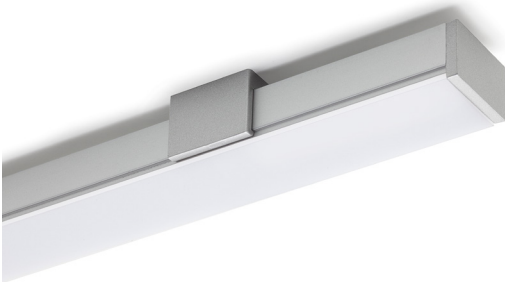
Art.nr. 973578

Supplement with LED-strip 2216 s. 36



LED-profile **Twig XA**

The LED-profile Twig XA is an exterior modern profile. It is easily attached using mounting clips but can also be set up with a self-adhesive tape.



Finish	Art.nr	L	B	D
● Profile - Aluminum	973461	2000	15	10
① Mounting clips incl. adhesive tape.				

Accessories

Diffuser Opal

Art.nr. 973462

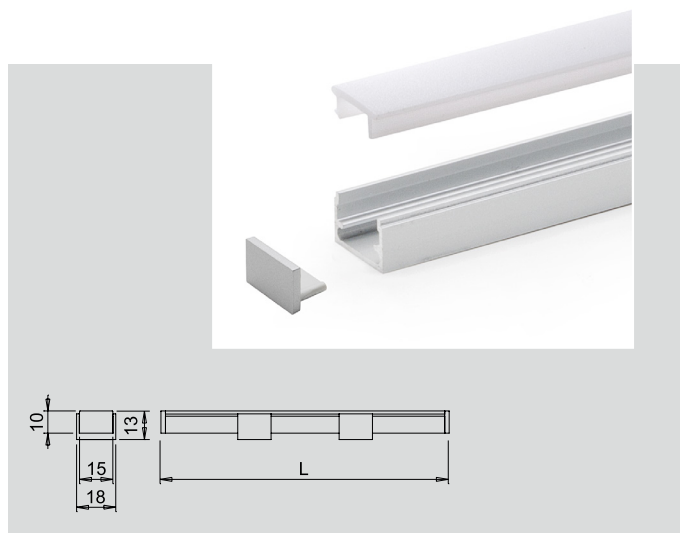
End caps Aluminum 2-pack

Art.nr. 973463

Mounting Clips Aluminum 2-pack

Art.nr. 973464

Fits all our LED-strips with tape.





Ledye is a distinct Aluminum profile for LED-strips. The end cap is in aluminum look and the diffuser in opal plastic. Can be mounted with or without end caps.



Finish	Art.nr	L	B	D	Inf. D	Inf. B
● Profile - Aluminum	973311	2000	30	2	12	23

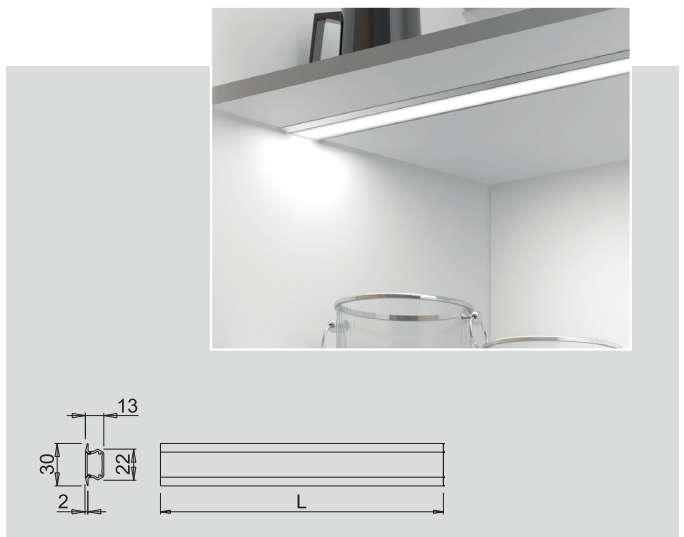
Accessories

Diffuser Opal
Art.nr. 973310

End caps Alu-look 2-pack
Art.nr. 973313

Mounting Clips 2-pack
Art.nr. 973314

Fits all our LED-strips with tape.



LED-profile **Micy**

Minimalist, monochrome, profile for recessed installation. Equipped with a smart mounting system with steel clamps.



Finish	Art.nr	L	B	Inf. D	Inf. B
● Profile - Aluminum	973660	2000	18	10,5	14,5

Accessories

Diffuser Opal

Art.nr. 973661

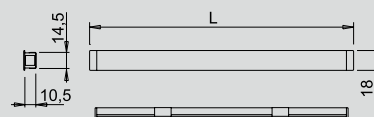
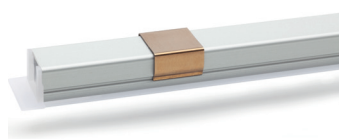
End caps 2-pack

Art.nr. 973662

Mounting Clips 2-pack

Art.nr. 973663

Fits all our LED-strips with tape.





Square LED-profile (16x16 mm) with many possibilities and for different applications. Fits together with all our LED-strips and can be mounted with screws or tape.



Finish	Art.nr	L	H	D
● Profile - Aluminum	973511	2000	16	16

Accessories

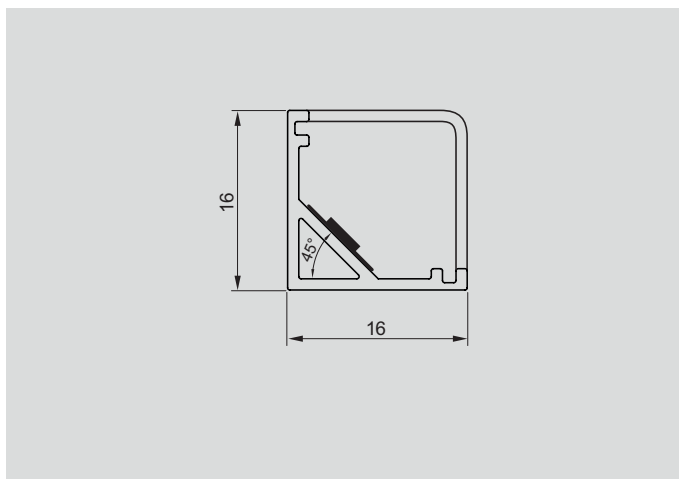
End caps Alu-look 2-pack

Art.nr. 973515

Diffuser Opal

Art.nr. 973512

Fits all our LED-strips with tape.



LED-profile **LD8104**

Minimal LED-profile, only 6 mm wide, where two different diffusers provide a perfect fit (A) or an overlapping Effect (B). Used with LED-strip Flexy 2216 HP4, a 4mm wide LED-strip with 240 diodes per meter. The LD8104 can be fitted with recessed or surface mounted. The Black profile and the Black diffuser allow the luminaire, effectively, to be camouflaged when mounted in frames with dark colors.



Finish	Art.nr	L	B	Inf. D	Inf. B
● Profile - Aluminum	973501	2000	6,4	10	6,4
● Profile - Black	973500	2000	6,4	10	6,4

Accessories

End caps Aluminum 2-pack

Art.nr. 973507

End caps Black 2-pack

Art.nr. 973506

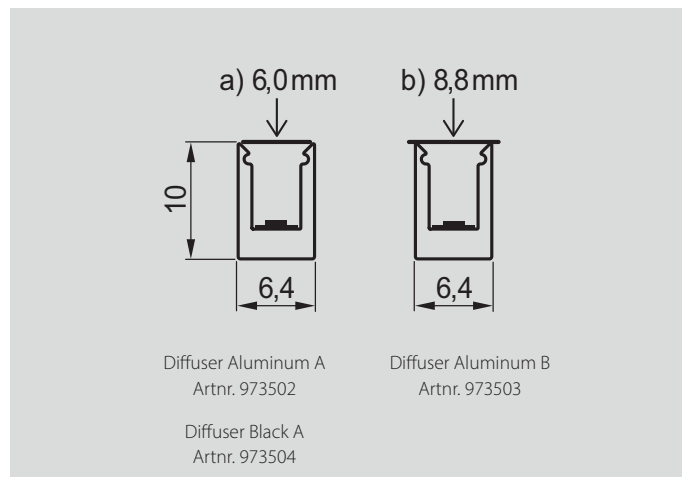
Diffuser Aluminum 2000 mm

Art.nr. 973502, 973503

Diffuser Black 2000 mm

Art.nr. 973504

Supplement with LED-strip Flexy 2216 s. 36.



04. LED-strips

Never has the freedom to furnish with light been greater! With flexible LED-strips you get great opportunities to decorate with lighting without compromising on brightness or color rendering.



Design: Kitchens.se by Paul. Photo: Adam Helbaoui, Instagram @kronfoto

LED-strip **Flexy LED HE CH**

LED-STRIP WITH PLUG-N-PLAY | 120 DIODES PER METER

Flexible LED-strips give you great opportunities for a varied lighting environment. An excellent choice whether you want to use it for decoration and / or functional lighting. Place the LED-strip open or hidden, high or low. Only your imagination sets the boundaries. Self-adhesive back for easy mounting.

Art.nr	L	B	H	Color temp.
973670	5000	8	4	3100K

(i) Divisible into modules of 50 mm.

Compatible with the following profiles:

Micy s. 25	Twig XA s. 23
Ledye s. 24	LD8101 s. 26

(i) Compatible when connection cable is not used.

Accessories

Connection cable 2000mm

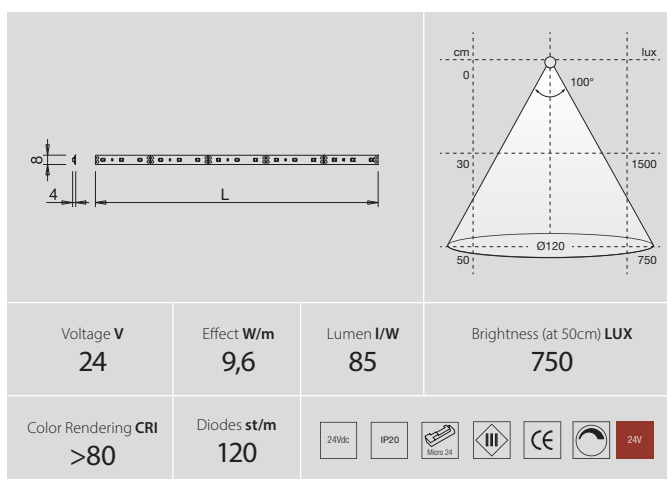
Art.nr. 973675

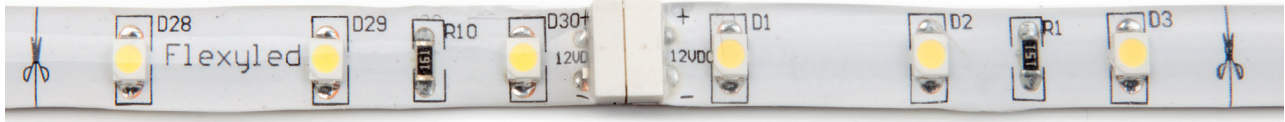
Extension cable 100mm

Art.nr. 973676

Connection cable

Art.nr. 973677





LED-STRIP WITH PLUG-N-PLAY | 60 DIODES PER METER

Flexible LED-strips give you great opportunities for a varied lighting environment. An excellent choice whether you want to use it for decoration and / or functional lighting. Place the LED-strip open or hidden, high or low. Only your imagination limits the possibilities. Self-adhesive back for easy mounting. Has IP Class 44.

Art.nr	L	B	H	Color temp.
97301	250	8	4	3400K
97302	500	8	4	3400K
97303	1000	8	4	3400K

(i) Divisible into modules of 50 mm.

Compatible with the following profiles:

- Micy** s. 25 **Twig XA** s. 23
- Ledye** s. 24 **LD8101** s. 26

(i) Compatible when connection cable is not in use.

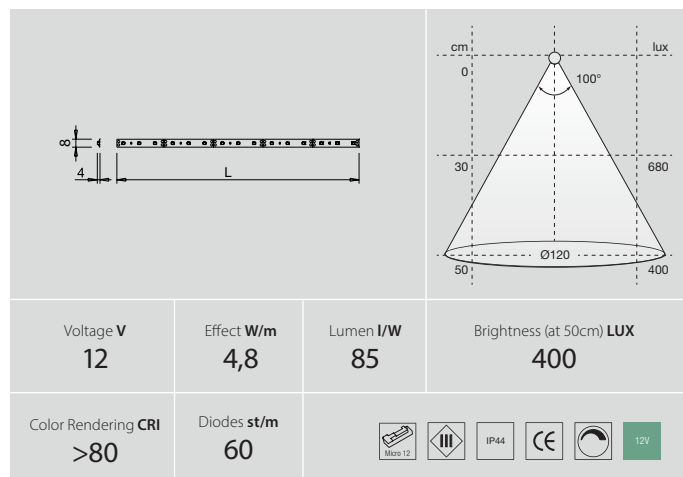
Accessories

Connection cable 2000 mm

Art.nr. 97307

Extension cable 500 mm

Art.nr. 97309



LED-strip **Flexy LED CR HE IP44**

LED-STRIP WITH PLUG-N-PLAY | 120 DIODES PER METER

Flexible LED-strips give you great opportunities for a varied lighting environment. An excellent choice whether you want to use it for decoration and / or functional lighting. Place the LED-strip open or hidden, high or low. Only your imagination limits the possibilities. Self-adhesive back for easy mounting. Has IP Class 44.

Art.nr	L	B	H	Color temp.
973202	500	8	4	3400K
973203	1000	8	4	3400K
973204	2000	8	4	3400K

(i) Divisible into modules of 50 mm.

Compatible with the following profiles:

Micy s. 25

Twig XA s. 23

Ledye s. 24

LD8101 s. 26

(i) Compatible when connection cable is not in use.

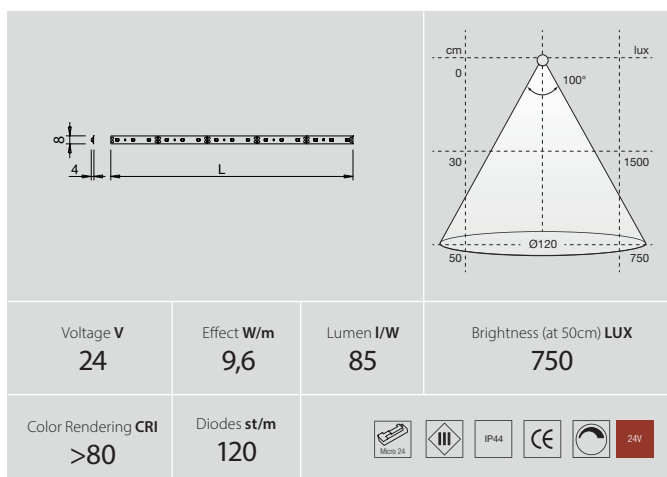
Accessories

Connection cable 2000 mm

Art.nr. 973198

Extension cable 500 mm

Art.nr. 973199



LED-strip Flexy LED HE6 PW PRO



Flexy LED HE6 PW PRO is a LED-strip with 120 diodes per meter in an area only 6 mm wide.

Flexy LED HE6 PW PRO is available with or without 3M © self-adhesive tape.



Compatible with the following profiles:

Without tape

Apex s. 17

Miss s. 18

Lab s. 20

With tape

Fits all our profiles

except Blade, 8112 and

8104.

Art.nr	L	B	H	Tape	Color temp.
973600	1000	6	4	Yes	2700K
973602	2000	6	4	Yes	2700K
973604	3000	6	4	Yes	2700K
973600UT	1000	6	4	No	2700K
973602UT	2000	6	4	No	2700K
973604UT	3000	6	4	No	2700K
973601	1000	6	4	Yes	3100K
973603	2000	6	4	Yes	3100K
973605	3000	6	4	Yes	3100K
973601UT	1000	6	4	No	3100K
973603UT	2000	6	4	No	3100K
973645UT	3000	6	4	No	3100K

i Divisible into modules of 50 mm. Connection cable 2000 mm.

	Voltage V 24 V	Effect W/m 9,6	Lumen lm/W 85	Brightness (at 50cm) LUX 900/980
	Color Rendering CRI >80	Diodes st/m 120		

LED-strip **Flexy LED SHE6 PW PRO**



Flexy LED SHE6 PW PRO is a LED-strip with 180 diodes per meter in an area only 6 mm wide.

Flexy LED HE6 PW PRO is available with or without 3M[®] self-adhesive tape.



Compatible with the following profiles:

Without tape

Apex s. 17

Miss s. 18

Lab s. 20

With tape

Fits all our profiles

except Blade, 8112 and

8104.

Art.nr	L	B	H	Tape	Color temp.
973610	1000	6	4	Yes	2700K
973612	2000	6	4	Yes	2700K
973614	3000	6	4	Yes	2700K
973610UT	1000	6	4	No	2700K
973612UT	2000	6	4	No	2700K
973614UT	3000	6	4	No	2700K
973611	1000	6	4	Yes	3100K
973613	2000	6	4	Yes	3100K
973615	3000	6	4	Yes	3100K
973611UT	1000	6	4	No	3100K
973613UT	2000	6 </td <td>4</td> <td>No</td> <td>3100K</td>	4	No	3100K
973615UT	3000	6	4	No	3100K

^① Divisible into modules of 33 mm. Connection cable 2000 mm.

2700K		3100K	
Voltage V 24 V	Effect W/m 14,4	Lumen lm/W 85	Brightness (at 50cm) LUX 1500/1650
Color Rendering CRI >80	Diodes st/m 180		

LED-strip Flexy LED SE H4-24



FLEXIBLE LED-STRIP | 180 DIODES PER METER

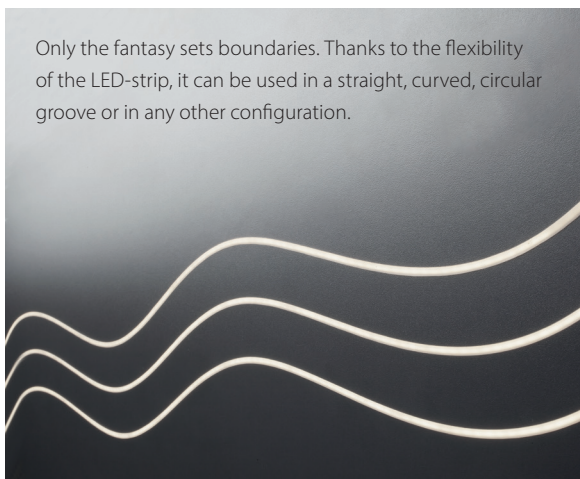
Extremely thin LED-strip which makes it ideal for folding in wardrobes, bookshelves and cabinets. Made of soft, compliant silicone that does not need to be attached on its own but can be pressed into milled grooves. Do not need to be glued. Can be cut into grooves that are 4mm wide and have a depth of 8mm. Including dual connections.



Art.nr	L	B	D	Color temp.
973395	1000	4	8	3100K
973396	2000	4	8	3100K
973397	2500	4	8	3100K

Divisible into modules of 33 mm. Connection cable 2000 mm.

Only the fantasy sets boundaries. Thanks to the flexibility of the LED-strip, it can be used in a straight, curved, circular groove or in any other configuration.



Voltage V 24	Effect W/m 9,6	Lumen l/w 75	Brightness (at 50cm) LUX 210
Color Rendering CRI >90	Diodes st/m 180		





4 MM THIN LED-STRIP | 120/240 DIODES PER METER

Extremely thin LED-strip, only 4mm wide, at the same time gives a fantastic light. In addition, the light picture becomes very uniform thanks to the entire 240 diodes per meter. Also available in Finish 9,6W / m, as the application does not require as strong lighting.



Compatible with the following profiles:

Fits all our profiles except Apex, Miss & LAB

Art.nr	L	B	H	Effect	Color temp.
973521	1000	4	2	19,2W/m	3000K
973522	2000	4	2	19,2W/m	3000K
973523	1000	4	2	9,6W/m	3000K
973524	2000	4	2	9,6W/m	3000K

i 9,6W/m, divisible into modules of 50 mm. 19,2 W/m, divisible into modules of 25 mm. Connection cable: 2000 mm.

	<p>9,6W/m</p>		<p>19,2W/m</p>	
	<p>Voltage V 24</p>	<p>Effect W/m 9,6/19,2</p>	<p>Lumen lm/w 82/115</p>	<p>Brightness (at 50cm) LUX 680/1300</p>
	<p>Color Rendering CRI >90</p>	<p>Diodes st/m 120/240</p>		

LED-strip Flexy LED UHE6 PW



6 MM LED-STRIP | 280 DIODES PER METER

Flexy LED UHE PW is a strip with 280 diodes per meter and is only 6 mm wide. Supplied with or without self-adhesive 3M © Tape.

Art.nr	L	B	H	Effect	Tape	Color temp.
973680UT	1000	6	1	10W/m	No	3000K
973681UT	2000	6	1	10W/m	No	3000K
973680	1000	6	1	10W/m	Yes	3000K
973681	2000	6	1	10W/m	Yes	3000K

Divisible into modules of 25 mm. Connection cable: 2000 mm.

Compatible with the following profiles:

Without tape

Apex s. 17

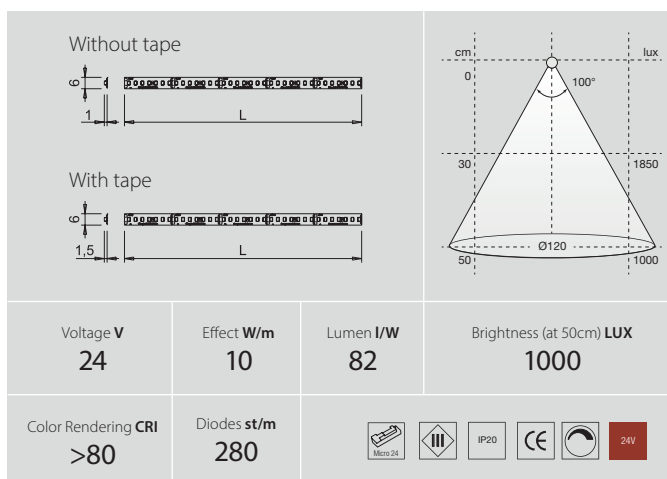
Miss s. 18

Lab s. 20

With tape

Fits all our profiles

except 8112 and 8104.



04. LED-armatures

Modern lighting for kitchens, storage, bathrooms and much more.

With options such as switches and dimmers, the applications become so many more.



LED-armature **Drip**

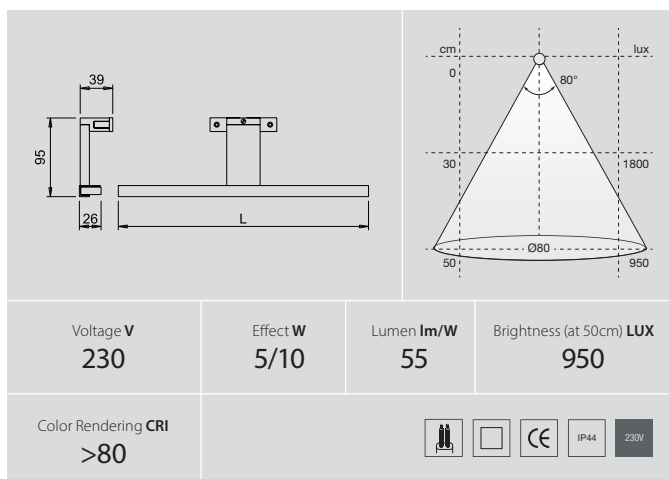


Drip is a armature for bathroom mirrors. The LED luminaire has an integrated LED-driver and comes with brackets for cabinet and mirror mounting. Not dimmable.



Finish	Art.nr	L	H	Effect	Color temp.
● Chrome	975002	300	95	5W	3000K
● Chrome	975003	600	95	10W	3000K

ⓘ Connection cable: 800 mm.





Elegant LED bathroom lighting in chrome with integrated LED-driver. Nite can be mounted directly on the mirror glass with the included holder or screwed onto a cabinet, for example. Not dimmable.



Finish	Art.nr	L	D	H	Effect	Color temp.
● Chrome	975011	305	160	18	5W	3000K
● Chrome	975012	550	160	18	7W	3000K
● Chrome	975014	305	160	18	5W	4000K
● Chrome	975015	550	160	18	7W	4000K

① Connection cable: 500 mm. Incl. connection cables box (IP44).

Voltage V 230	Effect W 5/7	Lumen lm/W 40	Brightness (at 50cm) LUX 550/656
Color Rendering CRI >80			

LED-armature **Nite BS**

Photo: Vedum K k & Bad

Elegant LED lighting for bathrooms in black with integrated LED-driver. Not dimmable.



Finish	Art.nr	L	D	H	Effect	Color temp.
● Black	975018	300	129	30	5W	3000K
● Black	975019	500	129	30	7W	3000K

① Connection cable: 600 mm. Incl. connection cables box (IP44).

Voltage V	Effect W	Lumen lm/W	Brightness (at 50cm) LUX
230	5/7	40	550
Color Rendering CRI			
>80			



With its wide light distribution, AALTO is ideal for illuminating bathroom mirrors. The LED luminaire has an integrated LED-driver and comes with brackets for cabinet and mirror mounting. Not dimmable.



Finish	Art.nr	L	D	H	Effect	Color temp.
● Chrome	975031	300	108	40	5W	3000K
● Chrome	975033	500	108	40	8W	3000K

(i) Connection cable: 800 mm. Incl. connection cables box (IP44).



Voltage V 230	Effect W 5/8	Lumen lm/W 80	Brightness (at 50cm) LUX 520/670
Color Rendering CRI >80			

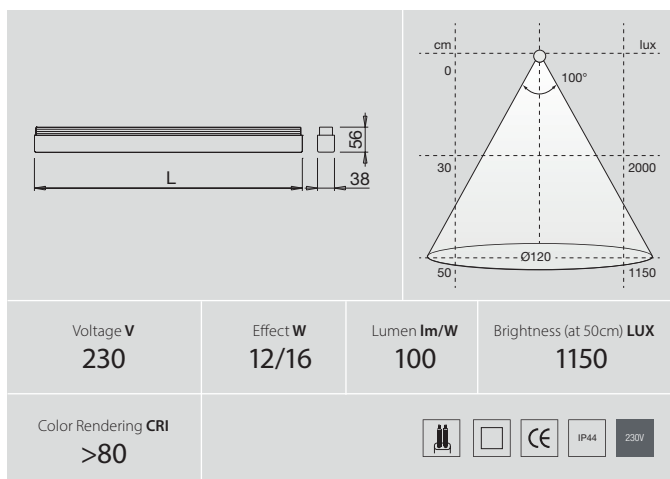
LED-armature **Stratos**

Bright LED lighting for bathrooms with integrated LED-driver. Available in two lengths with warm white light. Not dimmable.



Finish	Art.nr	L	B	H	Effect	Color temp.
● Aluminum	975022	590	38	56	12W	3000K
● Aluminum	975033	890	38	56	16W	3000K

① Connection cable: 600 mm. Incl. connection cables box (IP44).



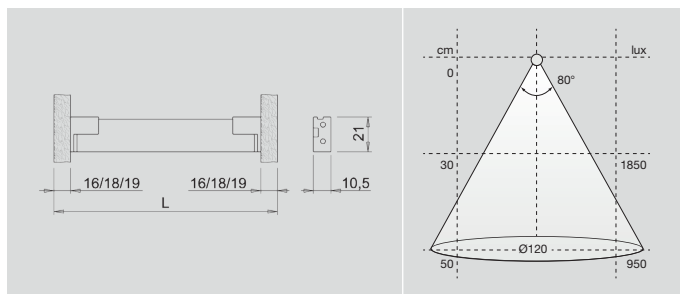


Baski is a LED luminaire designed for use in drawers or cabinets. Mounted on the side of frame with thicknesses 16mm, 18mm or 19mm. The lighting has a sensor that automatically turns on or off the light when the box is closed and opened. On all over 800mm there are dual sensors.

OSRAM
Opto Semiconductors

Finish	Art.nr	L	D	H	Effect	Color temp.
● Stainless steel	971503	500	10,5	21	6,2W	3000K
● Stainless steel	971505	600	10,5	21	7,2W	3000K
● Stainless steel	971507	800*	10,5	21	10,5W	3000K
● Stainless steel	971509	900*	10,5	21	12W	3000K
● Stainless steel	971511	1000*	10,5	21	13,4W	3000K

*(i) Connection cable: 2000 mm.*On all over 800mm there are dual sensors*



Voltage V 24	Effect W 6,3-13,4	Lumen lm/W 85	Brightness (at 50cm) LUX 950
Color Rendering CRI >80			

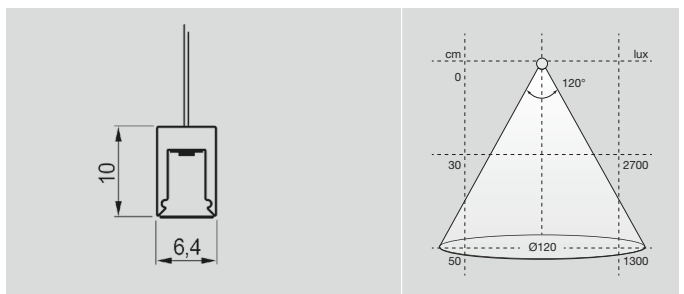








8104P is a luminaire for hanging installation from ceilings. The luminaire gives each room a unique style and draws its eyes to it, whether it is above the dining table or the desk. Also fits perfectly over the kitchen island. Complete with dimmable LED-driver.



Finish	Art.nr	L	Effect	Color temp.
● Black	973498	1195	22,6W	3000K
● Black	973499	1495	28,3W	3000K



Voltage V 24	Effect W 22,6/28,3	Lumen lm/W 86	Brightness (at 50cm) LUX 1300
Color Rendering CRI >90	   		

LED-armature **Pendy Dim**

Pendy is a luminaire for hanging installation from ceilings. The luminaire gives each room a unique style and draws their eyes to it, whether it is above the dining table or the desk. Also fits perfectly over the kitchen island. Complete with dimmable LED-driver.



Finish	Art.nr	L	B	Effect	Color temp.
● Black	973453	900	42	16,8W	2900K
● Black	973454	1200	42	22,6W	2900K

Voltage V	Effect W	Lumen lm/w	Brightness (at 50cm) LUX
230	16,8/22,6	70	980
Color Rendering CRI			
>90			

05. Dimmers & sensors

One way to adjust the lighting in a home is to use our hidden dimmers, touch dimmers and infrared sensors. Everything to make the lighting work just the way you want it.



Dimmer **PIX + Distans**

The dimmer can be mounted either surface-mounted (with spacer) or recessed (without spacer). Used for LED-driver with 1-10V signal.
Height at recess: 10 mm.

Finish	Art.nr	Ø	H	Inf. Ø	Inf. D
● Stainless steel	971261	35	21	30	9

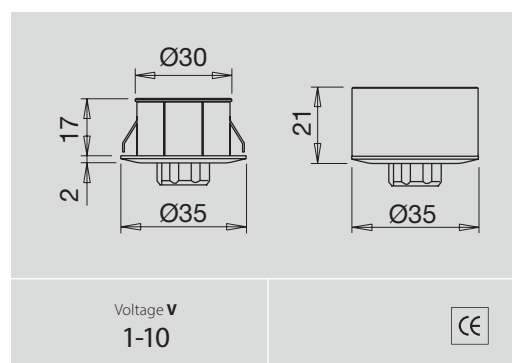
ⓘ Connection cable: 1950 mm.

Accessories

Connection cable Dimmer/Drikon

L: 450 mm

Art.nr. 971286



Voltage **V**
1-10

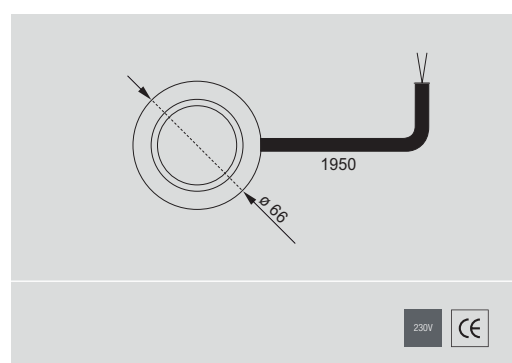


Pusch button **Push**

Rear dimmer for PUSH-adapted LED-driver.
Can be mounted on surface or recessed.

Finish	Art.nr	Ø	H	Inf. Ø	Inf. D
● Stainless steel	974275	66	18	55	14

ⓘ Connection cable: 1950 mm.



230V



REMOTE ON / OFF DIMMER WITH MEMORY FUNCTION | LIGHTS AT THE SAME LIGHT LEVEL WHEN IT WAS TURNED OFF

Security feature: switches off automatically after 18 hours. Fits 12V and 24V LED lighting.



Finish	Art.nr	Ø	Inf. Ø	Inf. D
● Stainless steel	974266	36	40	14
● White	974267	36	40	14

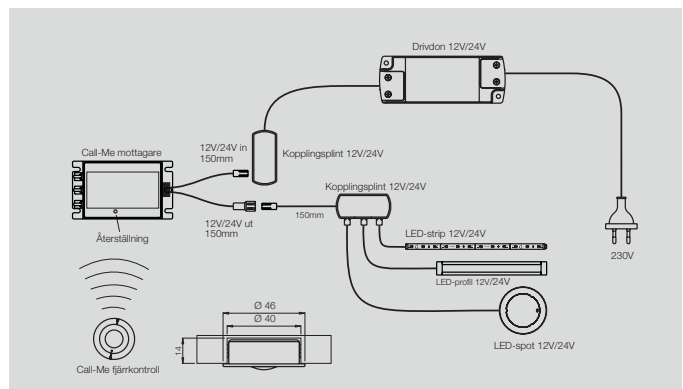
ⓘ Inkl. Connection terminal for 12V och 24V. Dimensions in the table apply to the remote control. Dimensions receiver: L:97 B:56 H:18,5 mm.

Accessories

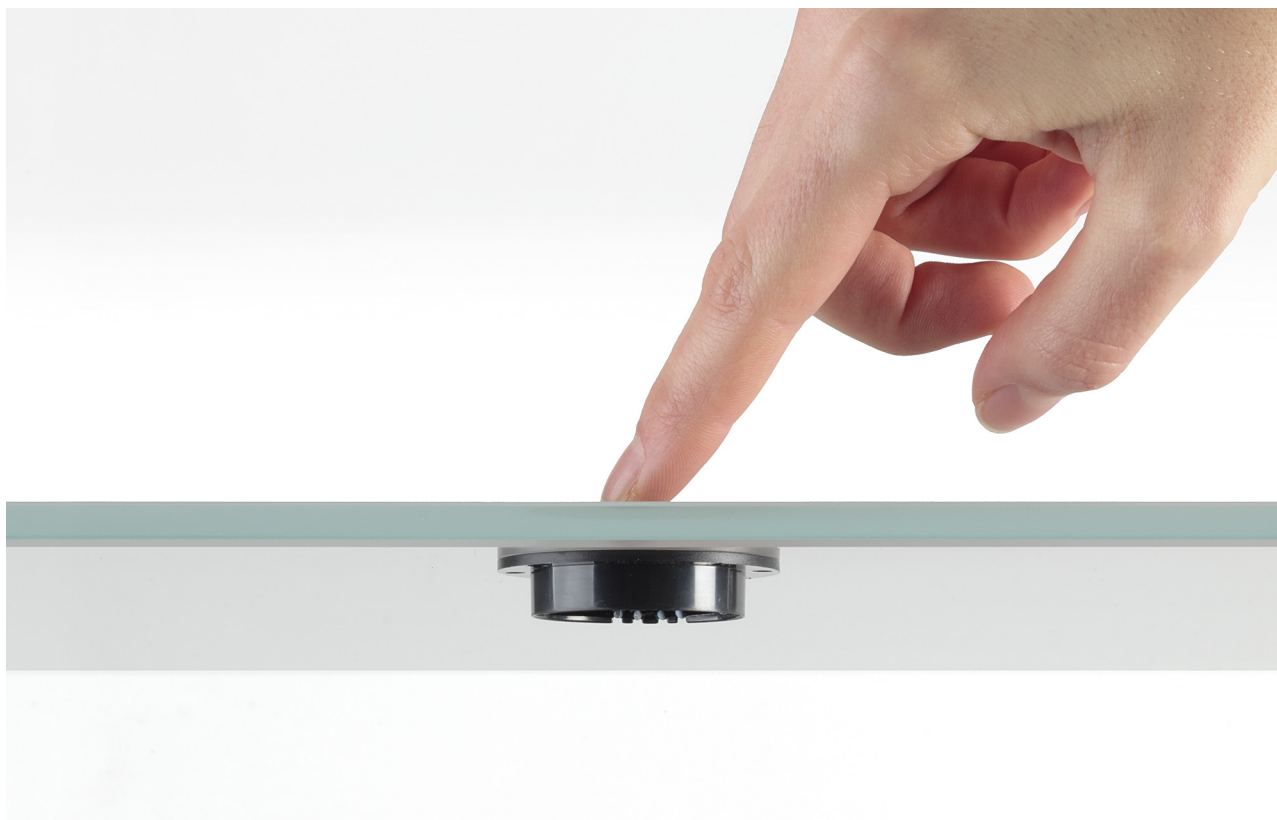
LED-driver Ultrathin IP44

Art.nr. 24V 992681

Art.nr. 12V 992680

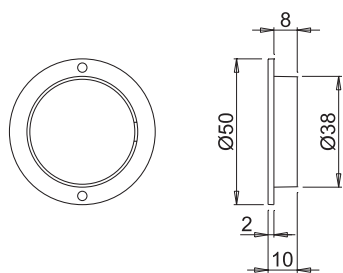


Connections 12/10 st	Maxeffect W 36/72	Voltage V 12/24

Dimmer **Capsens FW**

REMOTE ON / OFF DIMMER WITH MEMORY FUNCTION | LIGHTS AT THE SAME LIGHT LEVEL WHEN IT WAS TURNED OFF

CAPSENS FW is a dimmable electronic switch designed for concealed mounting on the back of wood, plastic or glass (not metal). Activated by simply touching the surface on which the sensor is mounted, for example a countertop. Install the Dimmer Capsens before connecting for proper functionality. Safety feature: Automatically turns off the light after 18 hours. Max. material thickness: glass 12 mm, plastic 20 mm, wood 30 mm.

**Finish**

● Black

Art.nr

97425

Ø

50

Inf. Ø

38

Inf. D

8

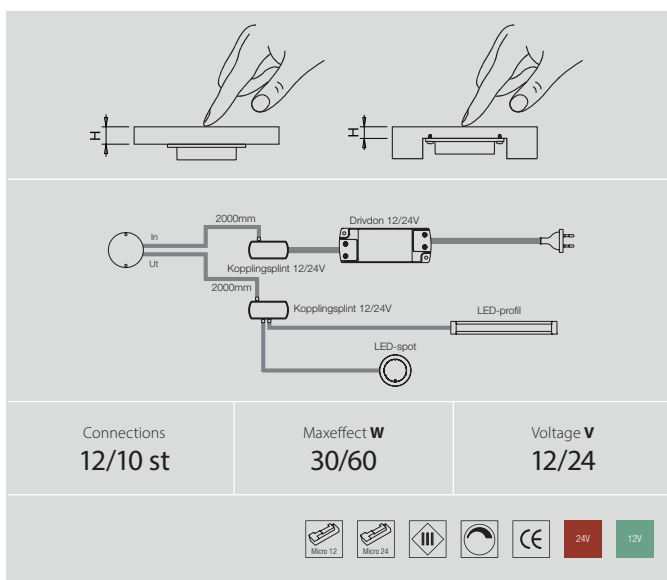
① Incl. 2000 mm connection cable och terminal with 12 connections, screw, double-sided tape and a sticker with on / off symbol.

Accessories

LED-driver Ultrathin IP44

Art.nr. 24V 992681

Art.nr. 12V 992680





RECESSED TOUCH DIMMER ON / OFF WITH MEMORY FUNCTION | LIGHTS AT THE SAME LIGHT LEVEL WHEN IT WAS TURNED OFF

On / Off switch with dimmer for 12V and 24V LED lighting. Dimmer: Hold your finger over the dimmer to adjust the brightness.
On / Off: Nudge at the on or off LED. Safety feature: Turns off automatically after 18 hours.



Finish	Art.nr	L	B	H	Inf. Ø	Inf. D
White	974271	35	35	1,5	30	9
Alu-look	974272	35	35	1,5	30	9

(i) Connection cable: 2000 mm. Recessed mounting.

Accessories

LED-driver Ultrathin IP44

Art.nr. 24V 992681

Art.nr. 12V 992680

Connections 12/10 st	Maxeffect W 30/60	Voltage V 12/24
--------------------------------	------------------------------------	----------------------------------

Dimmer **Dotti FW**

SURFACE TOUCH DIMMER ON / OFF WITH MEMORY FUNCTION | LIGHTS AT THE SAME LIGHT LEVEL WHEN IT WAS TURNED OFF

On / Off switch with dimmer function for LED lighting. Dimmer: Hold your finger on the dimmer to adjust the brightness.
On / Off: Nudge at the on or off LED. Safety feature: Turns off automatically after 18 hours.



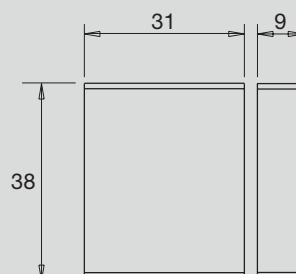
Finish	Art.nr	B	D	H
● Aluminum	974260	31	38	9
<i>ⓘ Connection cable: 2000 mm. Surface mounting.</i>				

Accessories

LED-driver Ultrathin IP44

Art.nr. 24V 992681

Art.nr. 12V 992680



Connections
12/10 st

Maxeffect **W**
36/72

Voltage **V**
12/24



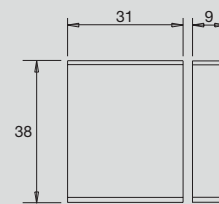
IR-Sensor **Dotti IR FW**

SURFACE-MOUNTED IR SENSOR

Infrared surface motion sensor for cabinets, wardrobes and drawers.
 LIMIT: The sensor turns on the lighting when the door is opened and goes out when it is closed.



Finish	Art.nr	B	D	H
● Aluminum	974263	31	38	9
① Connection cable: 2000 mm.				



Voltage V 12/24	Max effect W 36/72	Connections 12/10 st
---------------------------	------------------------------	-------------------------



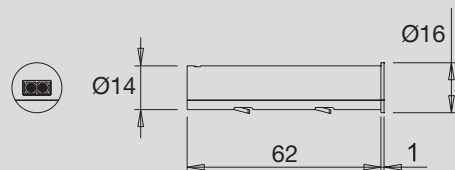
IR-Sensor **FW**

TWO-FUNCTION IR SENSOR

Infrared motion sensor with two functions for cabinets, wardrobes and drawers. Can be mounted on surface or recessed. ON / OFF: The sensor detects movement within 5 cm and switches off or switches on the power.
 LIMIT: The sensor turns on the lighting when the door is opened and goes out when it is closed.



Finish	Art.nr	L	B	H	Ø	Inf. Ø	Inf. D
● White	97411	62	16	11/12 14/16		16	64
① Connection cable: 2000 mm. Sensing distance: 50 mm.							



Voltage V 12/24	Max Effect W 24/48	Connection 12/10 st
---------------------------	------------------------------	------------------------



Wireless IR-Sensor **PIR WI-XD**

WIRELESS MOTION SENSOR

PIR WI-XD is a wireless motion sensor (with lithium battery) configured with X-driver. The system is easily installed by pressing the warning light on the X-driver and the configuration button on the front of the PIR WI-XD. Each set is independent of each other and you can install up to seven PIR WI-XD to one X-driver. The wireless solution and the possibility of recessed mounting provide a quick and easy installation.

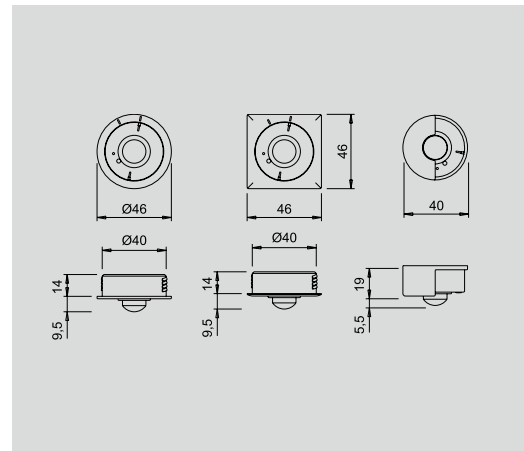
PIR WI-XD comes with support for recessed (both square or round) and surface mounted installation. See dimensions in the drawings.

Finish

● Aluminum

Art.nr

973713



Wireless IR-Sensor **IR WI-XD**

WIRELESS IR-SENSOR

IR WI-XD is a wireless IR sensor (with lithium battery) that can be configured with the X-driver. Each set is independent of each other and you can install up to seven IR WI-XD to one X-driver. Quick and easy installation.

Finish

● Aluminum

Art.nr

973715

B

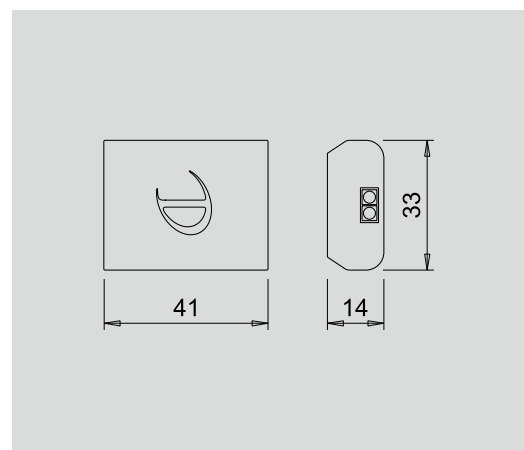
41

D

33

H

14



Control Box System

Control Box System, a solution that can easily be integrated into today's smart home. A number of sensors and a control box unit create simple and safe control of a number of lighting solutions.

Finish

White

Connection cable: 1500 mm.

Art.nr 973900 **L** 80 **B** 14 **H** 40

- 3 ports for connections with IR, PIR or Touch
- Adjustable delay time: 5 ~ 120s
- Built-in memory function
- Two or more control boxes can be connected

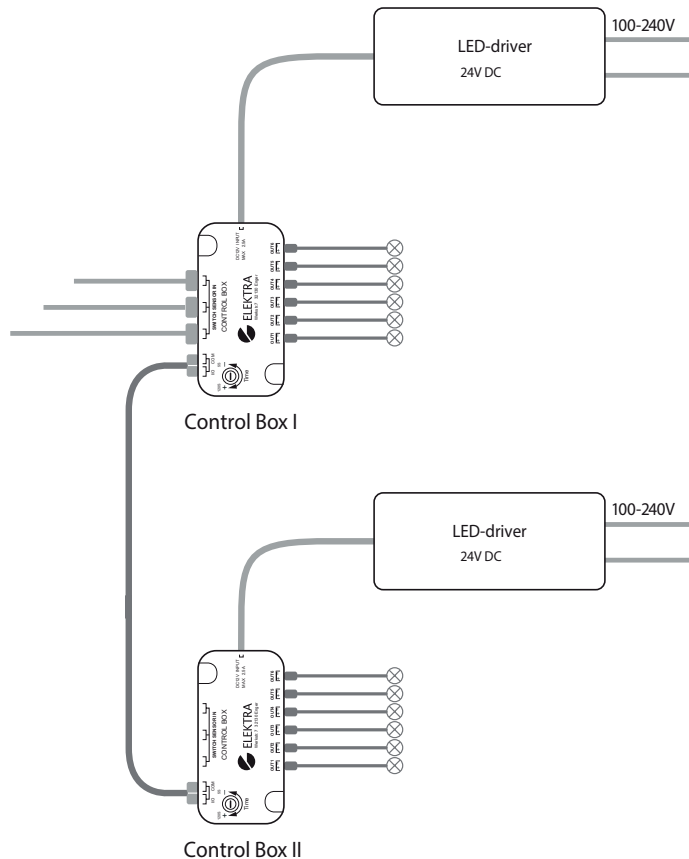


Voltage V	Max Effect W	Connections
24	60	3 st

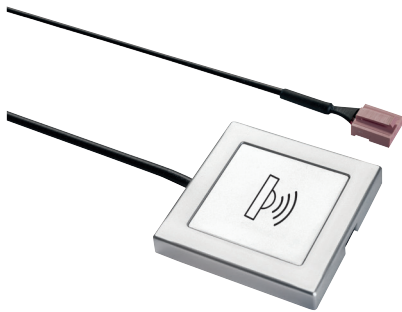
24V, Micro 24, CE

- PIR Motion-Sensor
- On/off
- Touch-Sensor
- On/off/dimmer
- Surface-mounted IR Sensor
- On/off
- Door / Box sensor

- Recessed IR Sensor
- On/off
- Door / Box sensor



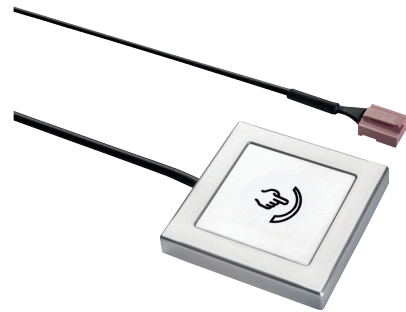
B. Surface-mounted IR-Sensor



Infrared sensor that detects movement within 5 cm and turns off lights turns on the power.

Finish	Art.nr	L	B	H
● Silver	973906	50	50	7,5

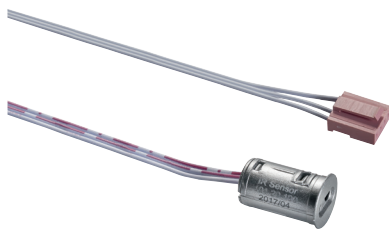
C. Touch-Sensor



Surface Touch Sensor, on / off and dimmer.

Finish	Art.nr	L	B	H
● Silver	973908	50	50	7,5

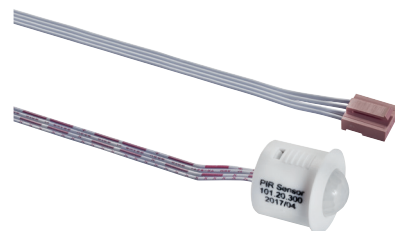
D. Recessed IR-Sensor



Infrared sensor for recessed, detects movement within 5 cm and switches off or switches on the current.

Finish	Art.nr	L	Ø	Inf. Ø
● Silver	973907	19,5	13,5	12

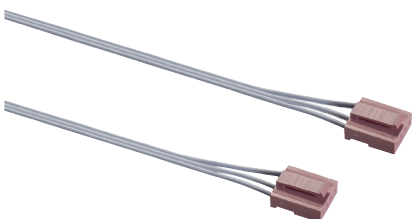
E. Recessed PIR-Sensor



Infrared motion sensor that is mounted inset. The sensor detects movement within 3000 mm.

Finish	Art.nr	L	Ø	Inf. Ø
● White	973909	20,5	22,3	20

G. Control Cable



1500mm cable with two connectors. Used when connecting several control boxes.

Art.nr	L	B
397310	1500	12

06. LED-driver

In order for your lighting to work as well as possible and have a long life, it is important to use the right LED-driver adapted for the specific product you have chosen. In this way, they are protected against overvoltage, overcurrent, overload and short circuits.



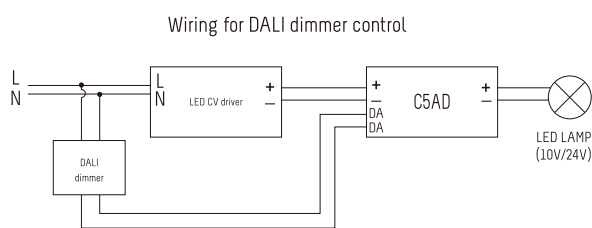
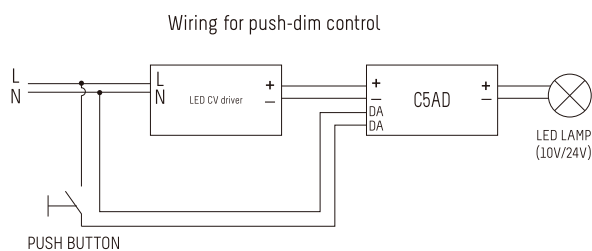
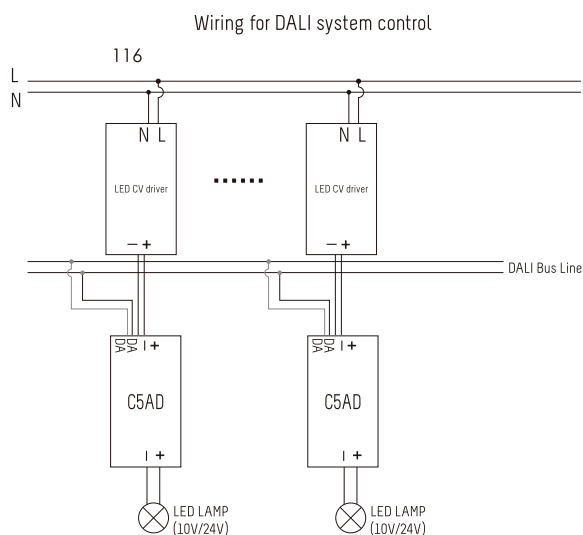
LED-control **Push-dim/Dali C5AD**

Small compact unit that easily converts standard standard LED-driver for LEDs to use with resilient pressure switch, push dimmer (230V) or DALI signal.

Maximum capacity 60W (12V), 120W (24V)



Finish	Art.nr	L	B	H
● White	971195-11	116	42	18



Accessories

LED-driver Ultrathin

Art.nr. 24V 992681

Art.nr. 12V 992680

Voltage 12V/24V	Dimmable Push / Dali

Make your home smart with **X-Driver**

The new, smart X-Driver is an all-in-one solution available in two strengths (30W and 60W). The LED-driver has three control modules that either switch the LED-driver to a wireless receiver for remote controls and for IR sensors (CM2) or switch it so that, using Bluetooth (CM3) or Wi-Fi (CM4), can control all Domus Line's LED lights with a smartphone or a voice-controlled device. X-Driver is available in 24Vcd (110-240Vac) with Euro connector.



Finish	Art.nr	L	B	H	Ansl.	Effect
White	973700	218	60	16	6	30W
White	973701	306	70	16,5	6	60W

	<p>DOMUS4U App compatible with X-Driver to control all lighting from your phone.</p>					
	<p>DOMUS4U WI-FI App compatible with X-Driver to control all lighting from your phone.</p>					
				<p>Voltage V 24</p>	<p>Connections 6 st</p>	<p>Dimmable Yes</p>

Control modules

CM2 - Wireless remote control

CM3 - Domus Line Bluetooth app

CM4 - Domus Line Wi-Fi app



LED-driver X-Driver

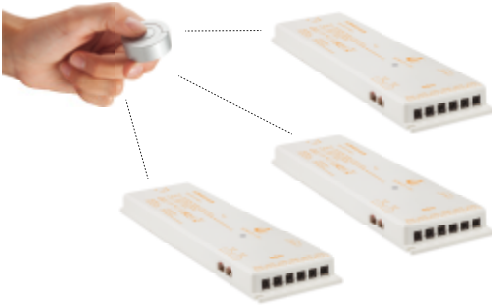


IR WI-XD Wireless



PIR WI-XD Wireless

X-DRIVER + CM2 + CALL ME or remote control RC3



With this configuration, an unlimited number of X-Driver units can be combined with a single wireless remote control, provided it is no more than 15 meters apart.

WI-FI X-DRIVER + CM4 + DOMUS4U WI-FI APP



The new CM4 module activates the wireless feature, which allows the X-Driver to integrate over the home network. This configuration allows you to adjust the lights via your phone and voice-controlled devices. All you need is the DOMUS4U WI-FI app.

X-DRIVER + IR WI-XD & PIR WI-XD + CM2



With this configuration you can use our wireless IR sensors.

BLUETOOTH X-DRIVER + CM3 + DOMUS4U APP



This configuration allows you to control up to 5 independent X-Driver devices. All you need is the DOMUS4U app.

Accessories

Connection cable 2000mm

Art.nr. 973704

Control module CM3

Art.nr. 973707

Remote control RC3

Art.nr. 973710

Control module CM2

Art.nr. 973706

Control module CM4

Art.nr. 973708

Remote control Call me V17

Art.nr. 973711



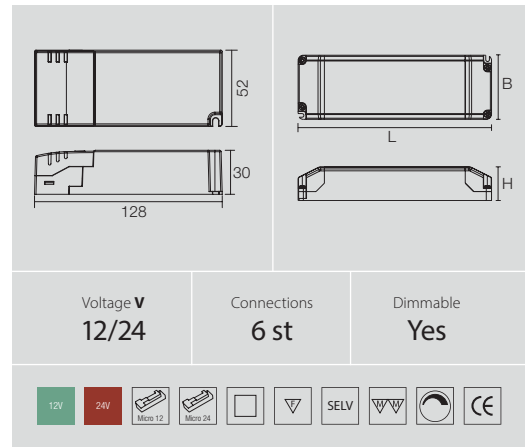
LED-driver **Triac Dim**

Complete LED-driver with TRIAC dimmer. Dimmable on the primary side (230V) with wall dimmer for electronic transformers. Includes 3 meter Connection cable and Connection cable terminal with 6 connectors.

Be sure to connect all lighting to the LED-driver before connecting the LED-driver to mains voltage (230V).

Finish	Art.nr	L	B	H	Con.	Voltage	Effect
● Grey	971182	128	52	30	6	12V	25W
● Grey	971183	184	61	32	6	12V	50W
● Grey	971185	128	52	30	6	24V	25W
● Grey	971186	184	61	32	6	24V	50W
● Grey	971188	210	67	34	6	24V	100W

i Connection cable: 3000 mm.



LED-driver **Triac**

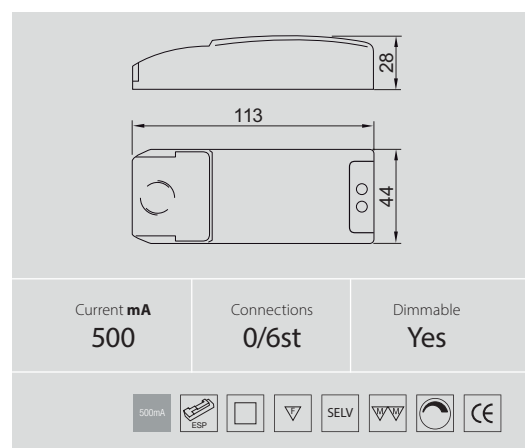
LED-driver with TRIAC dimmer. Dimmable on the primary side (230V) with wall dimmer for electronic transformers. Compact design & protection against short-circuit, overload and over-temperature (SELV). RoHS certified.

Be sure to connect all lighting to the LED-driver before connecting the LED-driver to mains voltage (230V).

NOTE! At least 2 and maximum 6 Stella LED spots must be connected. If only 1st spot is to be dimmed, two voltage regulators must be used. If 2nd spot is used, one voltage regulator needs. Only at three or more no voltage regulator is needed.

Finish	Art.nr	L	B	H	Con.	Current	Effect
● White	971223	113	44	28	6	500mA	6-18W
● White	971224	113	44	28	0	500mA	6-18W

i Connection cable: 3000 mm.



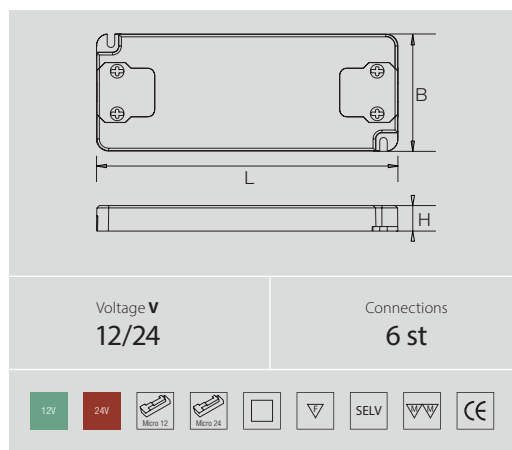
LED-driver **UltraThin**

Complete LED-driver with 2 meter Connection cable and Connection cable terminal with twelve Connections. Ultra-thin design and protection against short-circuit, overload and over-temperature (SELV). Dimmable with external dimmer.

Be sure to connect all lighting to the LED-driver before connecting the LED-driver to mains voltage (230V).

Finish	Art.nr	L	B	H	Con.	Voltage	Effect
● Grey	992670	128	50	13	6	12V	12W
● Grey	992671	128	50	13	6	12V	20W
● Grey	992672	155	53	16	6	12V	30W
● Grey	992675	128	50	13	6	24V	12W
● Grey	992676	155	53	16	6	24V	30W
● Grey	992677	185	62	22	6	24V	50W
● Grey	992685	305	30	17	6	24V	75W

i Connection cable: 2000 mm.



LED-driver **UltraThin IP44**

Finish	Art.nr	L	B	H	Con.	Voltage	Effect
● Grey	992680	154	54	16	6	12V	30W
● Grey	992681	154	54	16	6	24V	30W



LED-driver **Drikon incl. touchdimmer**

LED-driver with touch switch and dimmer function.

LED-driver Drikon can be synchronized (art. No. 971287) with up to 10 LED-drivers. Circumference of touch switch: 65 mm.

Dimmable: Yes

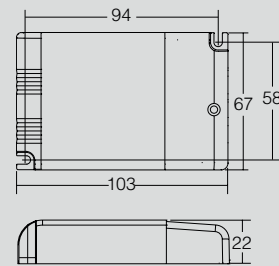
Synchronized: Yes

Finish

● White

① Can be synchronized with up to 10 pcs. LED-driver Drikon.

Art.nr	L	B	H
971251	103	67	22



Current mA 500	Max. Effect W 22	Connections 6 st
---------------------------------	-----------------------------------	----------------------------



LED-driver **Drikon MD Push**

Dimmable on the primary side (230V) with wall dimmer for electronic transformers or multiple resilient pushbuttons (PUSH).

Dimmable: Yes

Synchronized: Yes

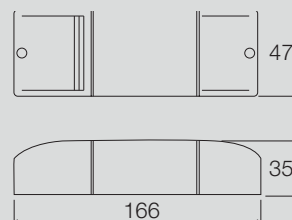
* Adjustable between 350mA (max. 17W), 500mA (max. 24W), 700mA (max. 32W), 12V (max. 10W), 24V (max. 20W).

Finish

● White

① Can be synchronized with up to 10 pcs. LED-driver Drikon.

Art.nr	L	B	H
971284	166	47	35



Voltage V 12/24	Max Effect W 32*	Connections -
----------------------------------	-----------------------------------	-------------------------



LED-driver **Drikon**

Multi-functional LED-driver for LED with built-in PWM dimmer. Can power and regulate LED light sources for 350mA, 500mA, 700mA, 12V and 24V.

Dimmable: Yes
Synchronized: Yes

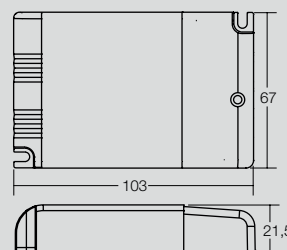
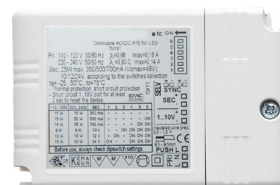
* Adjustable between 350mA (max 15W), 500mA (max 22W) or 700mA (max 25W) / 12V (max 10W) or 24V (max 20W).

Up to 10 pcs. LED-drivers can be linked and controlled from one or more places via resilient pushbutton (PUSH) or via Dimmer PIX 1-10V. Connection cable terminals and connection cables are not included. Be sure to connect all lighting to the LED-driver before connecting the LED-driver to mains voltage (230V).

Finish

Finish	Art.nr	L	B	H
White	971281	103	67	21,5

Can be synchronized with up to 10 pcs. LED-driver Drikon.



Voltage **V**
12V/24

Max. Effect **W**
25*

Connections
-



LED-driver **Drikon Maxi**

Multi-functional LED-driver for LED with built-in PWM dimmer. Can power and regulate LED light sources for 350mA, 500mA and 700mA.

Dimmable: Yes
Synchronized: Yes

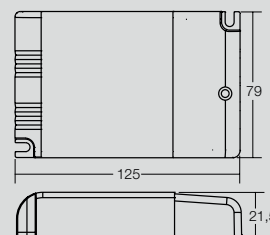
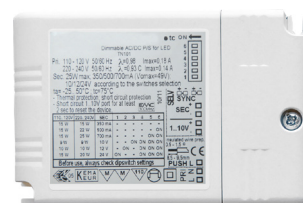
* Adjustable between 350mA (max 25W), 500mA (max 35W) or 700mA (max 50W)

Up to 10 pcs. LED-drivers can be linked and controlled from one or more places via resilient pushbutton (PUSH) or via Dimmer PIX 1-10V. Connection cable terminals and connection cables are not included. Be sure to connect all lighting to the LED-driver before connecting the LED-driver to mains voltage (230V).

Finish

Finish	Art.nr	L	B	H
White	971282	125	79	21,5

Can be synchronized with up to 10 pcs. LED-driver Drikon.



Max Effect **W**
50*

Connections
-

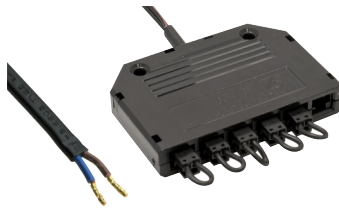


Terminal block ESP extension



6 Connections
Cable: 170 mm.
Art.nr. 971229

Terminal block ESP



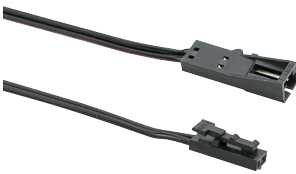
6 Connections
Cable: 170 mm.
Art.nr. 971228

Branch contact ESP



Length: 40 mm Width: 25 mm
Height 10 mm
Art.nr. 972722

ESP extension cable



Cable: 2000 mm.
Art.nr. 972721

Voltage regulator TRIAC 5V



Used with Triac LED-driver if only one spot is dimmed. Cable: 1800 mm.
Art.nr. 971227

Connection terminal Micro12 extension



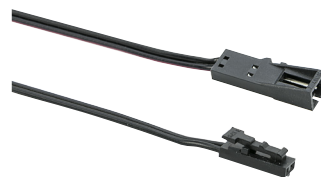
10 Connections
Cable: 500 mm.
Art.nr. 992625

Connection terminal Micro12



6 Connections
Cable: 500 mm.
Art.nr. 992626

Extension cable Micro12



Cable: 2200 mm.
Art.nr. 992627

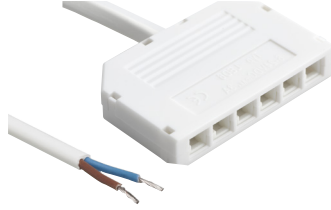
Accessories **Micro24**

Connection terminal Micro24 extension



10 Connections
Cable: 2000 mm.
Art.nr. 992613

Connection terminal Micro24



6 Connections
Cable: 500 mm.
Art.nr. 992612

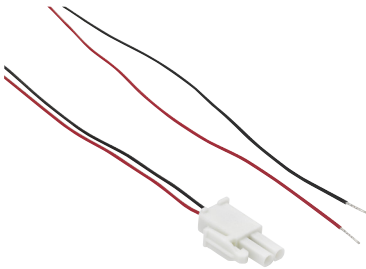
Extension cable Micro24



Cable: 2000 mm.
Art.nr. 992615

Accessories **Other**

Connection cable Dimmer/Drikon



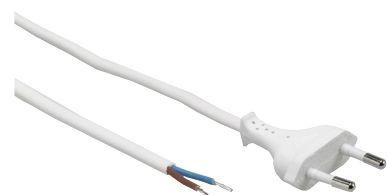
From LED-driver to Dimmer PIX. 1-10V.
Cable: 450 mm.
Art.nr. 971286

SynkCable Drikon



Cable for synchronizing more than one LED-driver. Cable: 1500 mm.
Art.nr. 971287

Power cord Europlug 230V



Power cord with europlug.
Cable: 3000 mm.
Art.nr. 98103

07. Smart electrical outlets

The indispensable and little extra for kitchens, offices and much more. Here you will find everything you need that you did not know; stainless steel power socket with USB, powergates and smart electrical outlets.



Powerbox **Backflip 2**



TWO POWER SOCKETS WITH USB CHARGER | TURNS 180 DEGREES

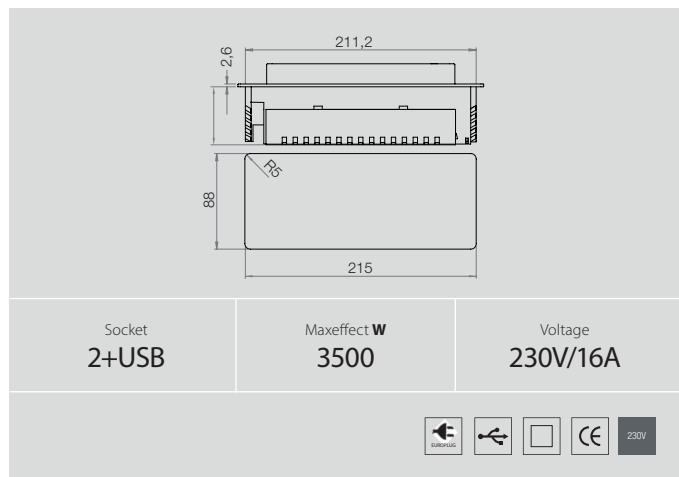
In closed position, Backflip appears as a thin plate on the countertop. With a simple fingerprint, Backflip turns 180 degrees. Backflip has two 230V / 16A jacks and a USB connector for charging mobile phones, tablets and more. The outlets are securely located above the workbench and provide greater protection against liquid spillage. Backflip can also be mounted on the side of a cabinet.



Finish

Finish	Art.nr	L	B	Inf.L	Inf.B	Inf.D
● Stainless/Black	989005	225,2	104,8	215	88	53
● Matt black	989004	225,2	104,8	215	88	53

① Incl. 2500 mm connection cable. Maximum depth on countertop 38 mm.





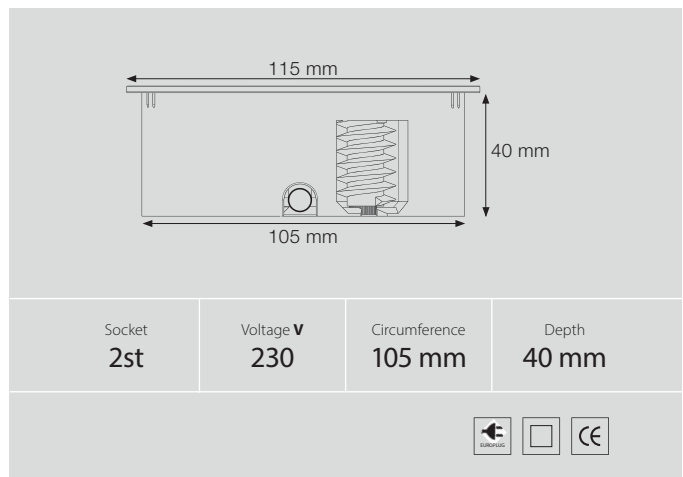
EASILY RECESSED ELECTRICAL OUTLET IN AWARD-WINNING DESIGN

Twist is adapted for use in kitchens, offices, schools, hotels and more. With its compact construction and its low recess depth (40 mm) fits Twist in most countertops, cabinets, kitchen counters, etc. When Twist is not used, the disc hides the sockets, when in use the disc rotates and opens the electrical sockets.



Finish	Art.nr	Ø	H	Inf. Ø	Inf.D	Övrigt
● Stainless	989007	115	42,5	105	40	2XEIuttag
● Stainless	989010	115	42,5	105	40	1xEI+2xUSB

ⓘ Incl. 2500 mm connection cable. Minimum thickness of countertop 20 mm.



Powerport **Evoline**



Designed pedestal mounted in table top, worktop or cupboard. Effectively for the conference table or hotel room. Minimum distance from edge to center: 65 mm. Mounted in disc with maximum thickness: 50 mm.



Finish	Art.nr	H	Inf. Ø	Socket	Lid
● Aluminum	98912	287	102	3-jord	Alu-look
● Aluminum	98921	237	102	2-jord	Stainless
● Aluminum	98922	287	102	3-jord	Stainless
● Matt black	98925	287	102	3-jord	Matt black

① Incl. 3000 mm connection cable.

Voltage V 230	Maxeffect W 3500	Circumference 102 mm
-------------------------	----------------------------	-------------------------

Powerbox Pop-up Power 3

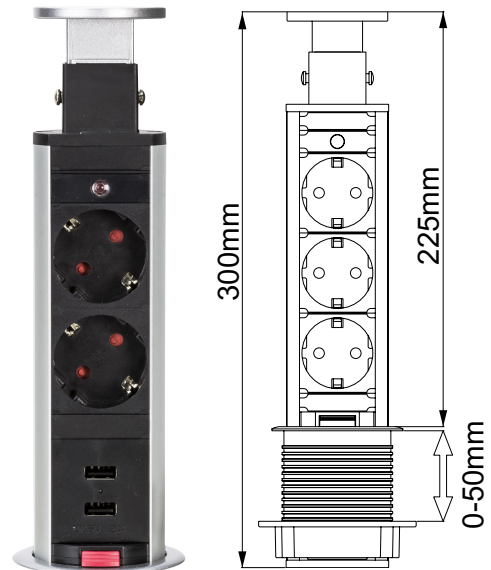
MINIMUM FOLDING CIRCUMFERENCE: Ø60 MM.

A practical pillar mounted in table and worktops. Easy to hide thanks to the small dimensions of the electrical socket (60 mm). Pop-Up design; push down the lid and the pillar "pops up" and you can easily pull up the entire electrical outlet.

Finish	Art.nr	H	Inf. Ø	Socket	Lid
● Aluminum	98946	225	60	3-jord	Alu-look
● Aluminum	989441-31	225	60	2-jord/2 USB	Alu-look

i Incl. 2000 mm connection cable.

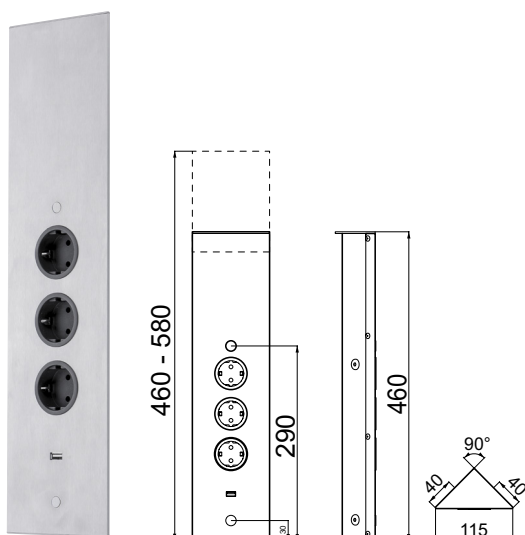
Voltage V 230	Maxeffect W 3500	Circumference 60 mm



Powerbox Corner 3 USB

CORNER-MOUNTED POWERBOX MADE ENTIRELY OF STAINLESS STEEL.

Powerbox for mounting in corners. Powerbox Corner 3 is made entirely of stainless steel with three electrical sockets and a USB socket for charging mobile phone, tablet and more. Adjustable height 450-580 mm.



Finish	Art.nr	H	B	D	Socket
● Stainless	989461	460-580	115	60	3-jord/1 USB

i Incl. 2000 mm connection cable.

Voltage V 230	Maxeffect W 3500	Socket 3-jord/1 USB

Powerbox Elevator



STYLISH POP-UP IN A STANDARD 80MM HOLE

Elevator fits perfectly in all working and kitchen environments. Visible parts are brushed stainless steel. With a light pressure on the top of the closed unit, it is opened by a spring mechanism. Elevator is available in two variants - with only electrical outlets or with electrical outlets and USB.



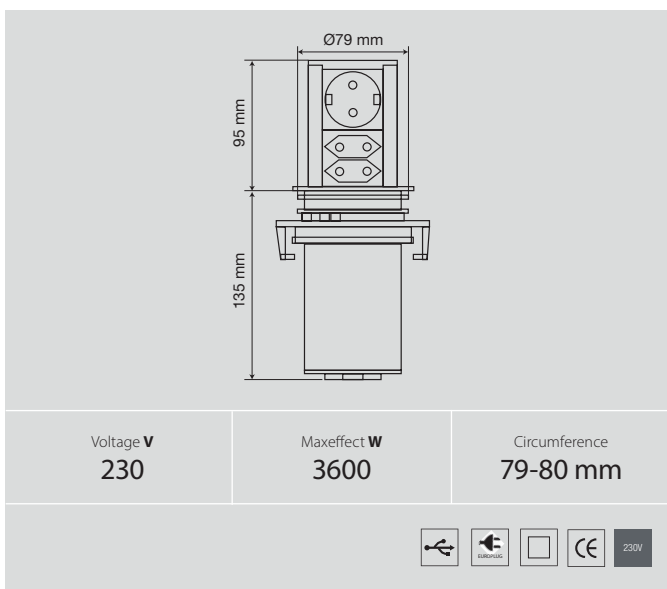
Accessories

Elevator Cover Box
Hides the installation of Elevator in e.g. cabinet.
Stainless steel. H:210 B:125 D:125

Art.nr. 989035

Finish	Art.nr	Ø	Inf. Ø	Inf. D	Socket
● Stainless steel	989031	86	79-80	135	1-jord/2-euro
● Stainless steel	989032	86	79-80	135	1-jord/2 USB

i Incl. 2000 mm connection cable.



Lighting Sign explanation



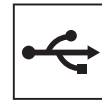
Sensor that switches off the lights on movement or heat.



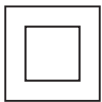
The product is dimmable.



Security Class III. For connection to low Voltage via transformer.



USB.



Security Class II. Utensils with double insulation may be connected to grounded sockets via a so-called europlug.



The luminaire may be mounted on normally combustible material. (Surfaces made of materials such as wood or wood-like materials that are more than 2 mm thick).



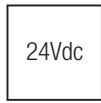
May be mounted on surfaces of unspecified combustible material. (As parts of wood furniture). The temperature must not exceed 95 °C in normal use.



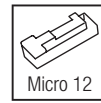
Safety Extra Low Voltage. Voltage cannot exceed Extra Low Voltage; low Voltage under normal conditions or in case of a simple fault.



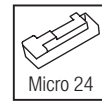
Voltage.



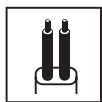
Voltage.



mico12 terminal (12V)



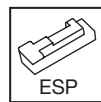
mico24 terminal (24V)



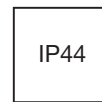
Without contact.



Europlug (230V)



ESP Terminal (500mA)



The enclosure protects against radiant water as well as large grain particles.



A product with CE marking is sold in the EEA and shows that the manufacturer meets the requirements of health, safety, function and environment. The manufacturer is responsible for all damages caused by the CE-marked product, provided that the user has followed the instructions.



For electrical equipment in demanding environments, where dust, corrosive substances, moisture and water can penetrate, a good enclosure is required. Encapsulation testing is normally performed against the global standard IEC 60529 or the European equivalent EN 60529, which has been adopted as Swedish standard SS EN 60529.

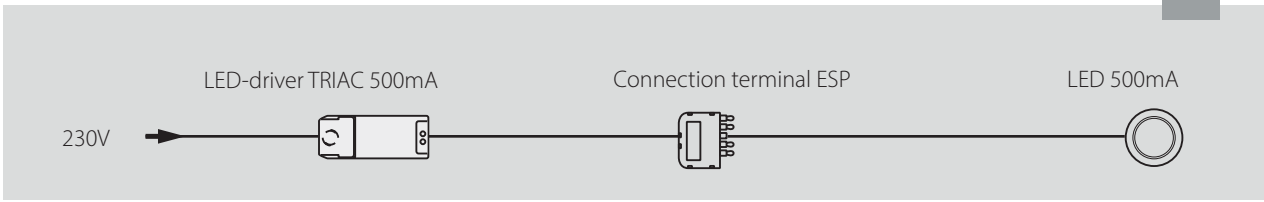


LED-profile Apex
with LED-strip Flexy

Design: Kitchens.se by Paul. Photo: Adam Helbaoui, instagram @kronfoto

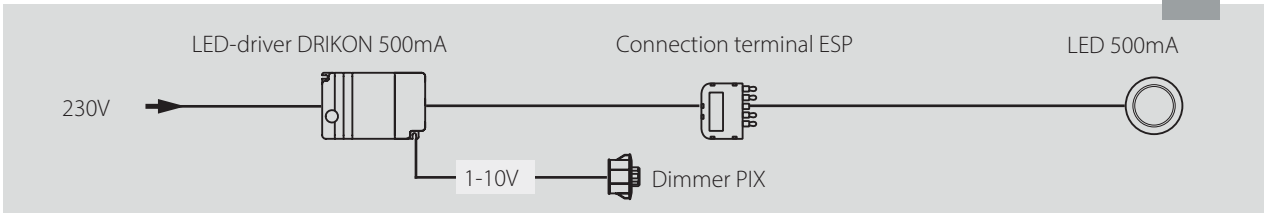
WITHOUT DIMMER

500mA



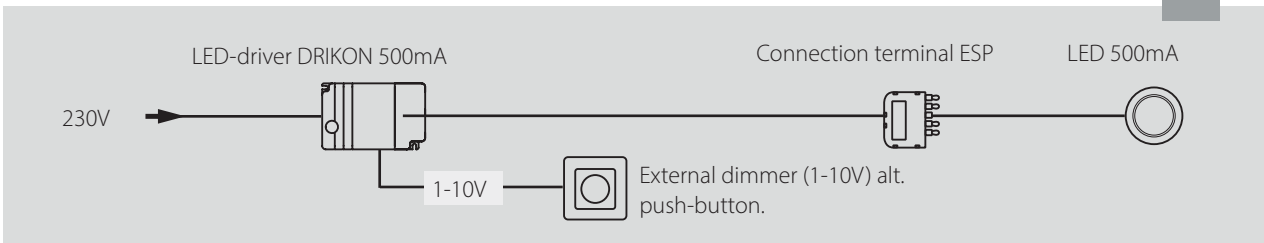
DIMMER PIX

500mA



EXTERNAL DIMMER

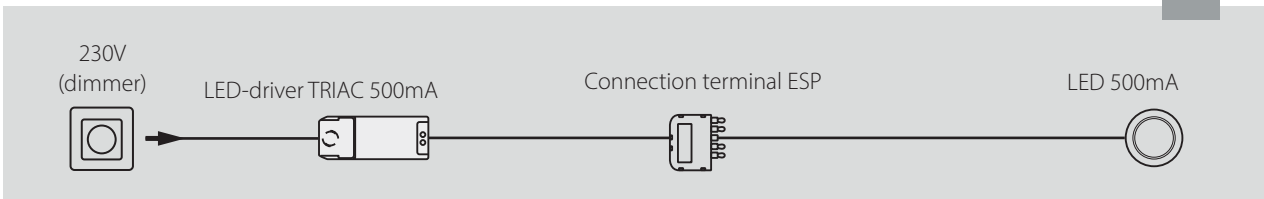
500mA



EXTERNAL 230V DIMMER (ENDAST LED-driver TRIAC)

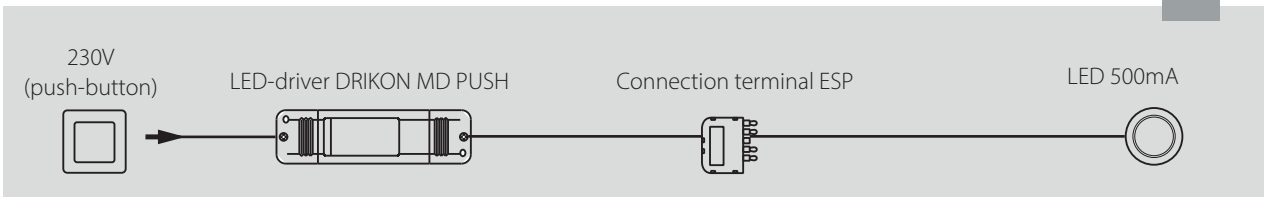
External dimmer type Eljo / Elko for electronic transformers.

500mA



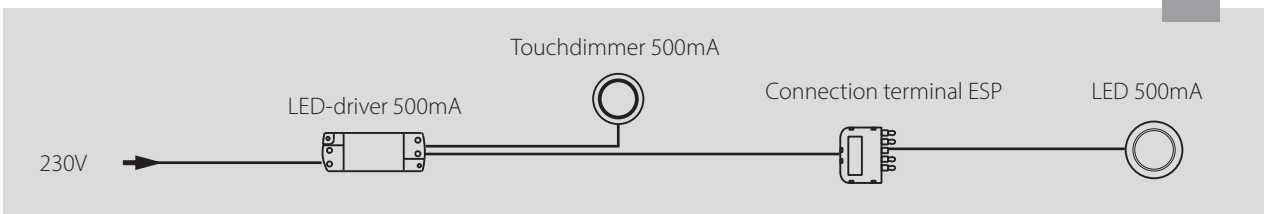
EXTERNAL 230V DIMMER

500mA



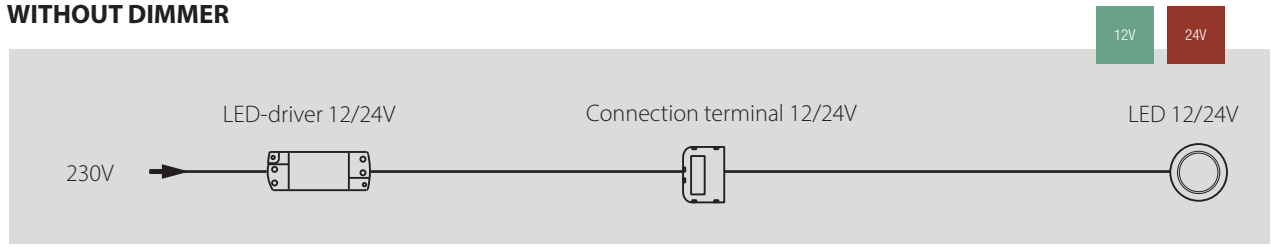
LED-DRIVER WITH TOUCHDIMMER (ONLY 500mA)

500mA

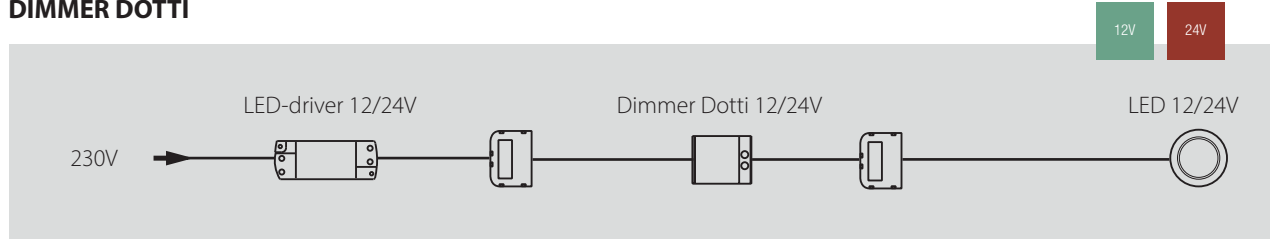


Lighting Connections

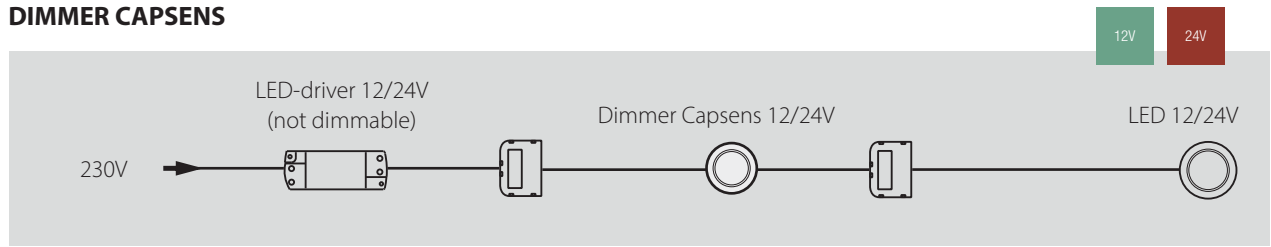
WITHOUT DIMMER



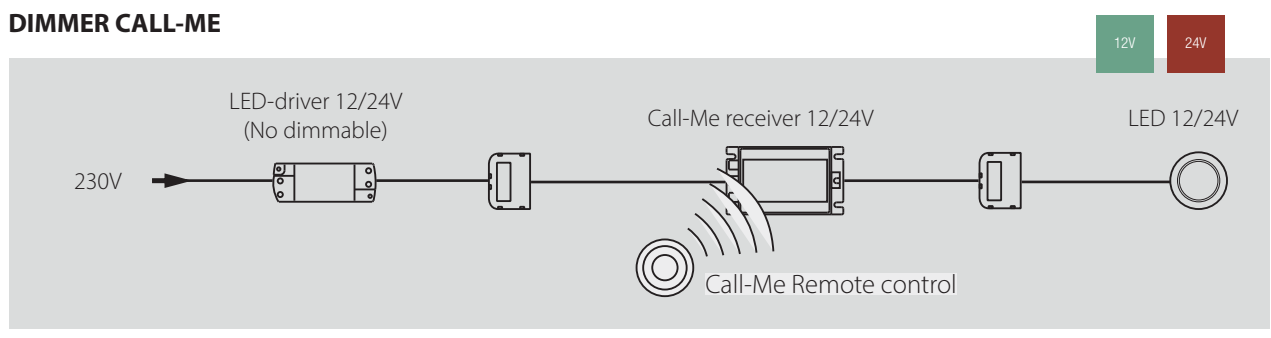
DIMMER DOTTI



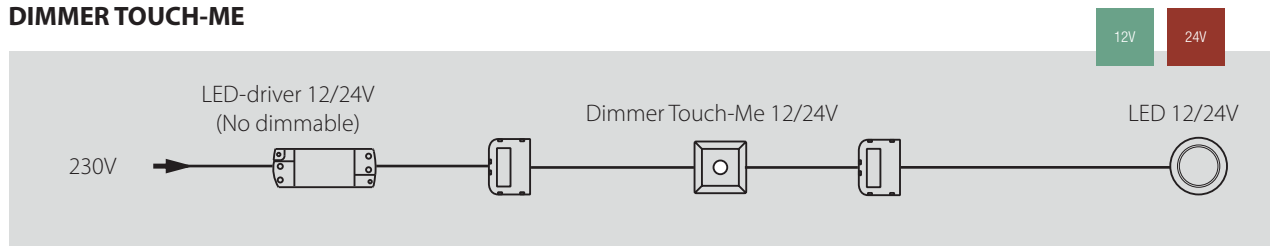
DIMMER CAPSENS



DIMMER CALL-ME

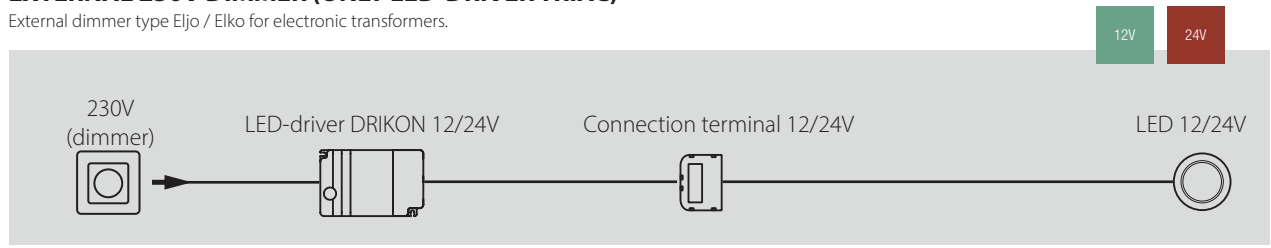


DIMMER TOUCH-ME



EXTERNAL 230V DIMMER (ONLY LED-DRIVER TRIAC)

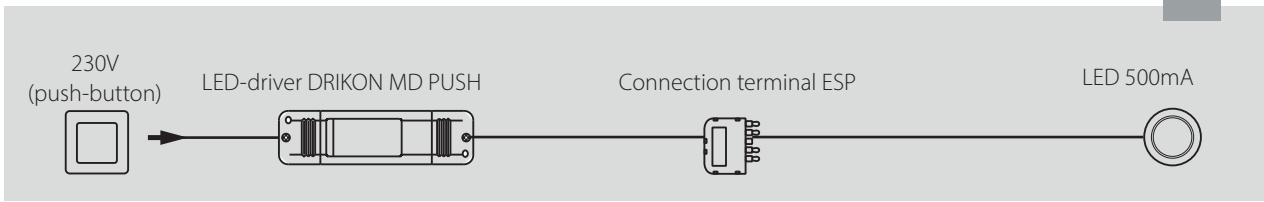
External dimmer type Eljo / Elko for electronic transformers.



EXTERNAL 230V DIMMER

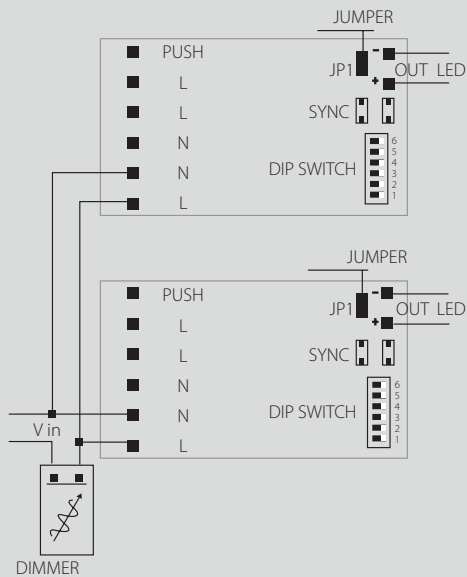
External dimmer type Eljo for electronic transformer.

500mA

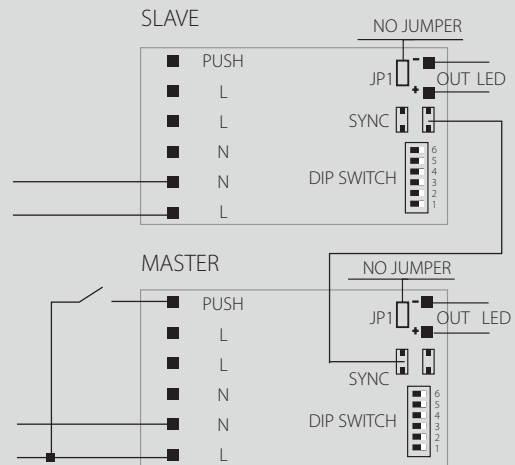


**External dimmer configuration.
LED-driver with TRIAC function.**

JP1 activated



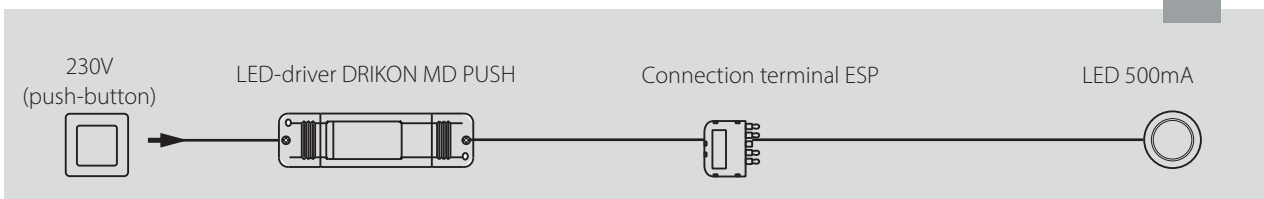
JP1 disabled (remove blue JUMPER)



Configuration for PUSH and synchronized twilight with sync cable.

EXTERNAL 230V PUSH SWITCH

500mA

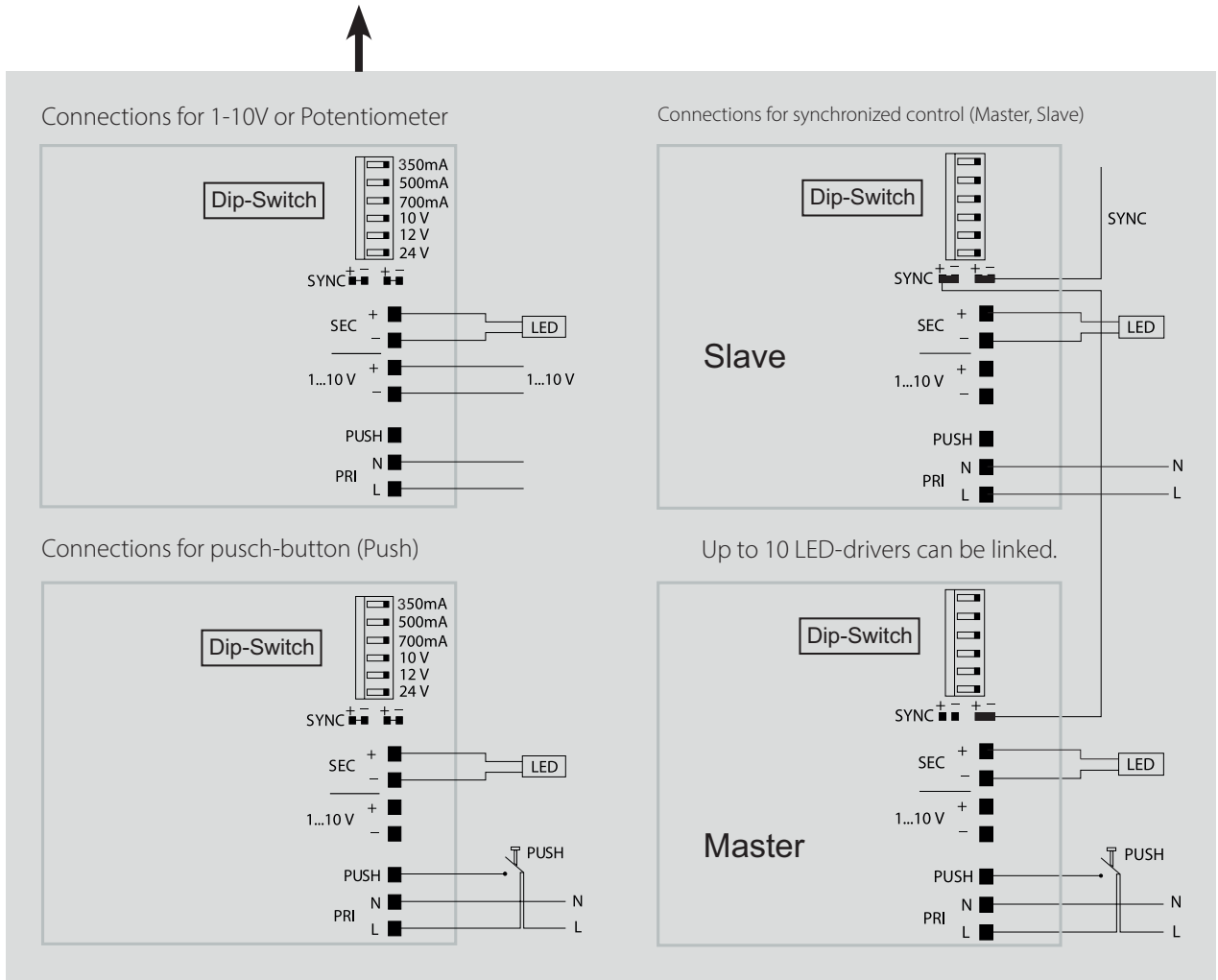
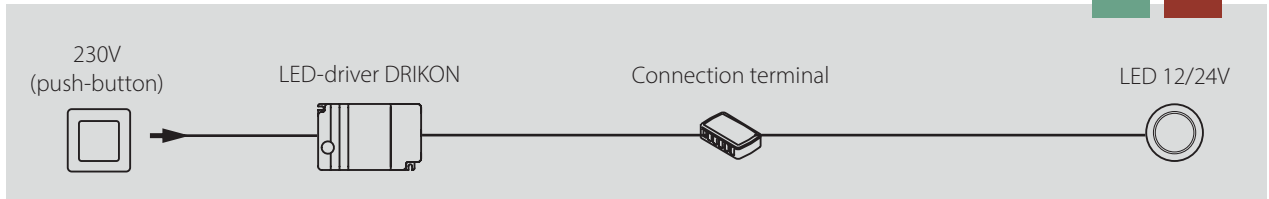


Lighting Connections

EXTERNAL 230V DIMMER

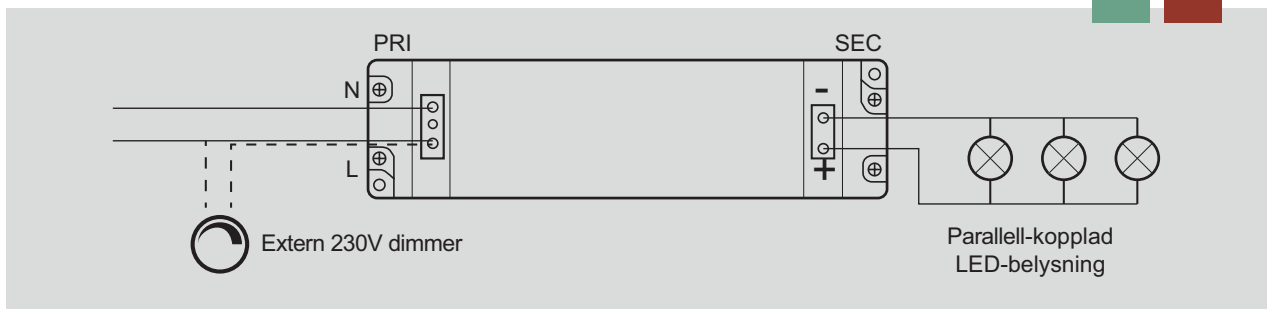
Up to 10 LED-drivers can be linked and controlled from one or more resilient push buttons (PUSH) or via Dimmer PIX 1-10V

12V 24V



LED-driver TRIAC

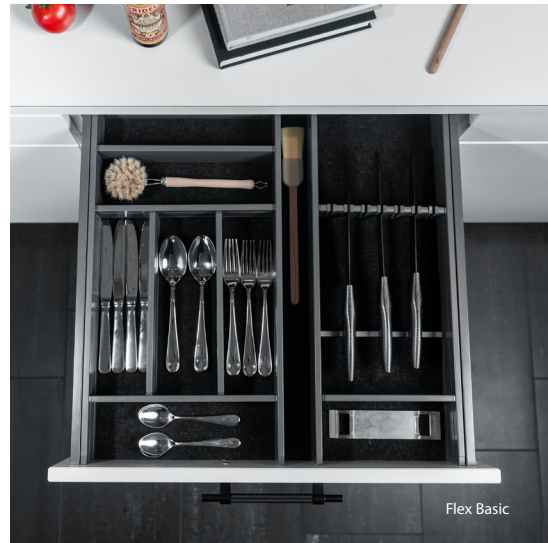
12V 24V





Handles, knobs & doorhandles

Do a lot with a little. Renew, reinforce a style, match with the rest of the home. New handles or knobs may seem like a small thing, but it actually makes a big difference. We have hundreds of different modes of handles, knobs and door handles - all to meet your specific requirements. Details that matters.



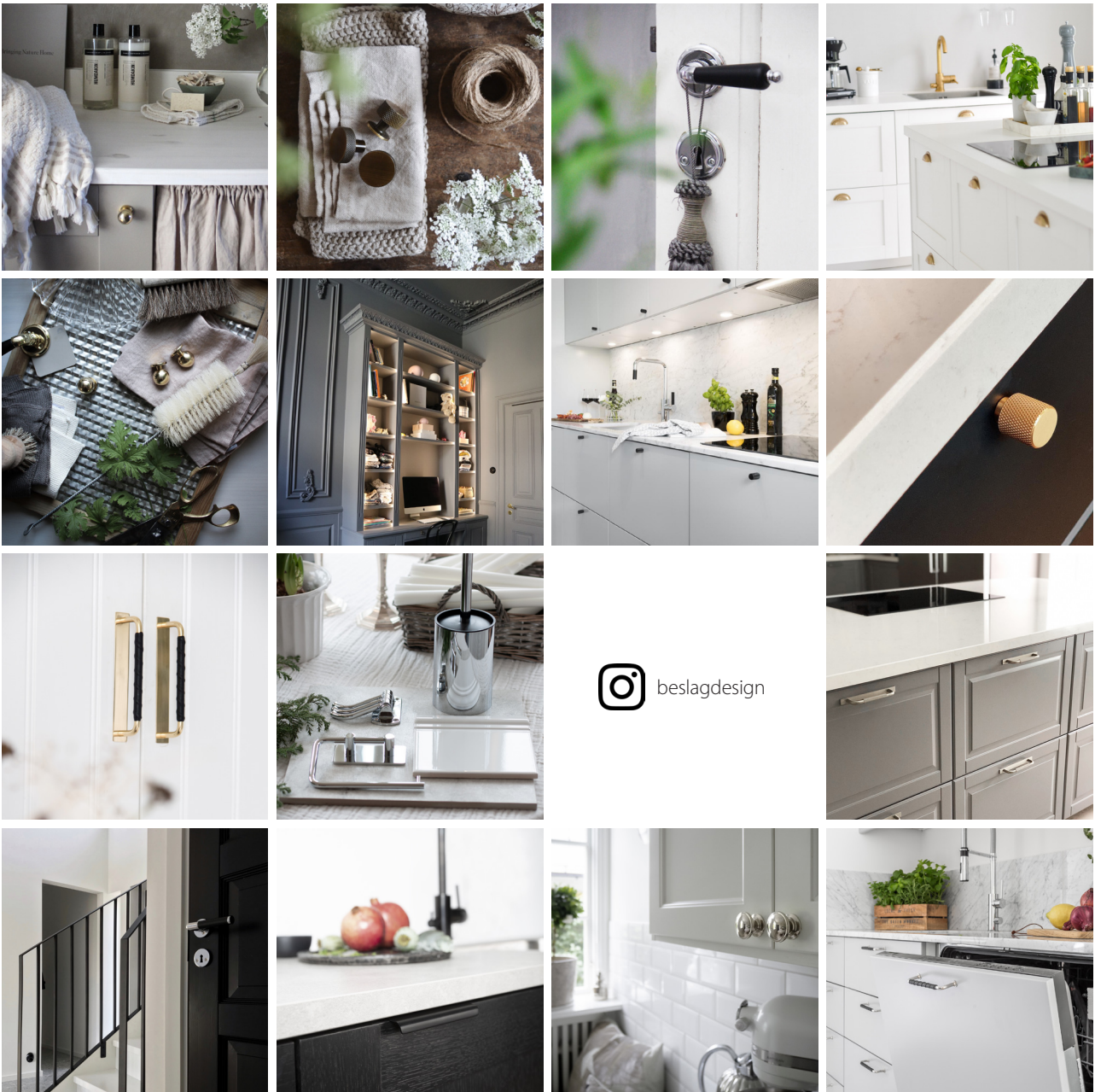
Bathroom accessories & storage


More and more people appreciate matching and profiling the details even in the bathroom. With Base & Solid it becomes easy. We also have a large assortment of storage solutions that take advantage of all the home's spaces, whether in the kitchen, laundry room or closet. Smart solutions that simplify everyday life for everyone.



Design: Kitchens.se by Paul. Photo: Adam Helbaoui

- 8104 P **46**
- 8112 **22**
- Aalto **42**
- Apex **17**
- Atom **7**
- Baski **44**
- Blade **21**
- Control Box System **56-57**
- Connection terminal ESP **66**
- Connection terminal ESP extension **66**
- Connection terminal Micro12 **66**
- Connection terminal Micro12 extension **66**
- Connection terminal Micro24 **67**
- Connection terminal Micro24 extension **67**
- Connection cable Dimmer/Drikon **67**
- Dimmer Call-Me 2.0 FW **50**
- Dimmer Capsens FW **51**
- Dimmer Dotti FW **53**
- Dimmer Pix **49**
- Dimmer Touch-Me FW **52**
- Drip **39**
- LED-driver Drikon **65**
- LED-driver Drikon inkl. touchdimmer **64**
- LED-driver Drikon Maxi **65**
- LED-driver Drikon MD Push **64**
- LED-driver Triac **62**
- LED-driver Triac Dim **62**
- LED-driver UltraThin **63**
- LED-driver UltraThin IP44 **63**
- Flexy 2216 **36**
- Flexy LED CR HE IP44 **31**
- Flexy LED CR IP44 **30**
- Flexy LED HE CH **29**
- Flexy LED HE6 PW PRO **32**
- Flexy LED SE H4-24 **34**
- Flexy LED SHE6 PW PRO **33**
- Flexy LED UHE6 PW **37**
- Extension Cable ESP **66**
- Extension Cable Micro12 **66**
- Extension Cable Micro24 **67**
- Branch contact ESP **66**
- IR-Sensor Dotti IR FW **54**
- IR-Sensor FW **54**
- IR-Sensor IR WI-XD **55**
- IR-Sensor PIR WI-XD **55**
- LAB **20**
- LD8101 **26**
- LD8104 **27**
- LED-kontroll Push-dim/Dali C5AD **59**
- Ledye **24**
- Micy **25**
- Miss **18**
- Nite **40**
- Nite BS **41**
- Pendy Dim **47**
- Polar SE **8**
- Polar SE SDM **9**
- Powerbox Backflip 2 **69**
- Powerbox Corner 3 USB **72**
- Powerbox Elevator **73**
- Powerbox Pop-up Power 3 **72**
- Powerbox Twist **70**
- Powerport Evoline **71**
- Smally XS IP 44 **14**
- Smally XS PLUS **15**
- Voltage regulator TRIAC 5V **66**
- Stella Flat **12**
- Stratos **43**
- Europlug 230V **67**
- SynkCable Drikon **67**
- Push **49**
- Twig XA **23**
- Vega **10**
- Vega SDM **11**
- X-Driver **60-61**



 beslagdesign

Let's inspire each other

We are so happy when you share photos of our products.

Don't forget to use the #beslagdesign so we can find you.

The big picture

R O O M • K I T C H E N • B A T H R O O M • H A L L W A Y

In our website you will find handles, fittings, accessories, legs, and lighting for all rooms. For home, store, office, restaurant, and hotel. Details that lift the interior and complete the big picture. Small details make a big difference. Details that you can look at and use over and over again. Down to the smallest detail.