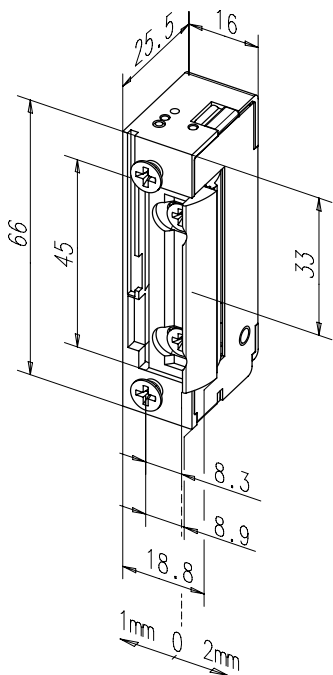


Fail-locked 118/128

118 128 138



Minimum fitting size - maximum effect effeff standard electric strike 118 with FaFix (FF)

Model with basic features.

The advantages at a glance

- Radius keeper, FaFix 3 mm adjustable
- Universal voltage
- Compatible with all current mortise locks
- Compatible with all commercially available striking plates also striking plates for plastic profiles
- Symmetrical design. DIN left/right as well as horizontal applicable

| Electrical data | 10-24 V AC/DC | 22-42 V AC/DC |
|--------------------------------------|------------------------------|---------------|
| Rated resistance | 43 Ω | 200 Ω |
| AC current consumption | 250 mA (12V) 500 mA (24V) | 60 mA |
| Current consumption DC (stabilised) | 280 mA (12V) 560 mA (24V) | 120 mA |
| Max. keeper pre-load AC | 200 N (12V) 250 N (24V) | 200 N |
| Max. keeper pre-load DC (stabilised) | 50 N (12V) 200 N (24V) | 50 N |

| Characteristics | Technical attributes |
|-------------------------------|---|
| Adjustable keeper (FF, FaFix) | • Break-in resistance 3750 N |
| Adjustable strike (F, Fix) | Height 66 mm |
| Monitoring contact (RR) | Width 16 mm |
| Mechanical unlocking (E) | Depth 25,5 mm |
| Diode (05) | Operating temperature range -15 °C to +40 °C |
| Fail-locked | • Installation position vertical and horizontal |
| Hold-open function | Material housing Die-cast zinc |
| | Material keeper Die-cast zinc |
| | Fafix regulating range 3 mm |
| | Latch bolt engaging depth 5,5 mm |
| | Internal works continuous function load cycles 250000 |

| DIN directions | |
|----------------|----|
| Universal | 1 |
| Voltage | |
| 10-24 V AC/DC | A7 |
| 22-42 V AC/DC | B7 |

Order no.
118----- ** *

Order suffix for model with hold open function = 128 -...