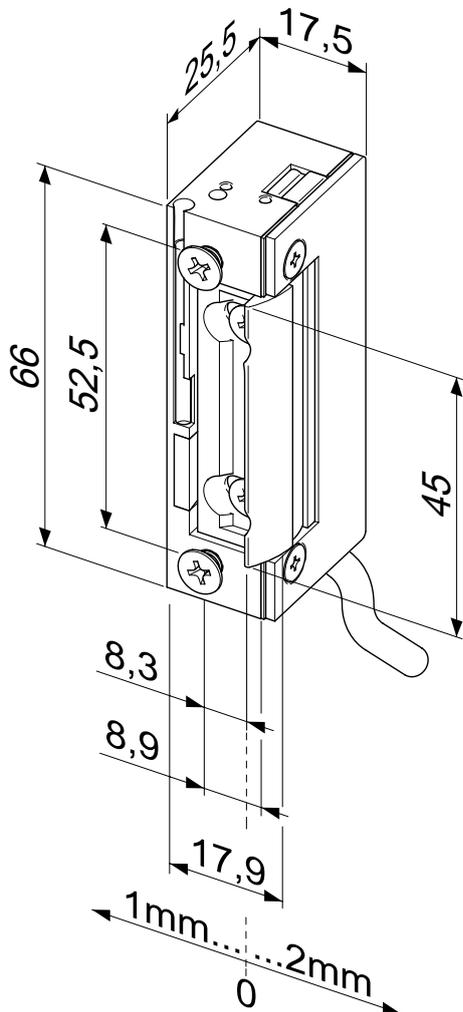
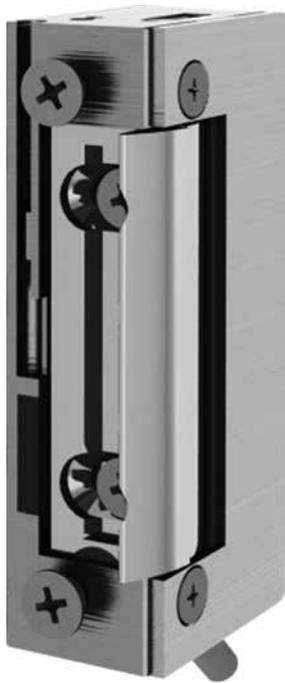


Electric Strike

Fail-locked 118W



Electric strike for outdoor areas

Model with basic equipment.

The advantages at a glance

- Water-proof for use outdoors
- Protection rating IP54 for the electrical components
- Connecting cable 300 mm length
- Equipped with bipolar protective diodes
- Radius keeper, FaFix®, adjustable by 3 mm
- Compatible with standard mortise locks
- Striking plates with 2 position settings available
- Symmetrical design. DIN left/right as well as horizontal applicable

Electrical data	10-24 V AC/DC	22-42 V AC/DC
Continuous duty	11-13 V DC	22-26 V DC
Rated resistance	43 Ω	200 Ω
Rated current consumption 12 V DC	280 mA	
Rated current consumption 24 V DC	560 mA	120 mA
Rated current consumption 12 V AC	250 mA	
Rated current consumption 24 V AC	500 mA	60 mA
Max. latch preload AC	200 N (12V) >350 N (24V)	200 N (24V) >350 N (42V)
Max. latch preload DC (stabilised)	50 N (12V) >200 N (24V)	50 N (24V) >350 N (42V)

Characteristics

Adjustable latch (FF, FaFix®)	•
Monitoring contact (RR)	
Mechanical unlocking (E)	
Bi-directional diode	•
Fail-locked	•
Fail-unlocked	
Hold-open function	

Technical attributes

Break-in resistance	3750 N
Height	66 mm
Width	17,5 mm
Depth	25,5 mm
FaFix® adjustment range	3 mm
Latch bolt engaging depth	5,5 mm
Operating temperature range	-40 °C to +50 °C
Installation position	vertical and horizontal
Load cycles for in-plant test	250000

DIN door swing directions

Universal	1
-----------	---

Voltage

10-24 V AC/DC	A7
22-42 V AC/DC	B7

Order no.

1 1 8 W * * 1