

# Emergency nightlatches light

# ASSA ABLOY

235

## 235 light sprung nightlatch without lock-back

### Application:

Locks for exit doors offering a high degree of security, but with unrestricted exit in an emergency. Ideally suited for hotels, factories, hospitals, schools, offices etc. Also suitable for use with electric strikes.

Available with double or single cylinder.

Supplied as standard with striking plate.

Cylinder and accessories bolt through lockcase for added strength. Key can only be removed in locked position.

For finishes and dimensions see Lockcases Information appendix. For accessory configurations see Variations insert.

When ordering please specify hand and door thickness.

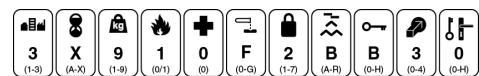
### Specification:

Bolt deadlocks automatically when door is closed. Bolt reversible without opening lockcase.

Light handle follower springing, suitable for use with emergency break-dome thumbturn.

Available with 35mm, 50mm or 70mm backset.

Optional microswitch MC monitors bolt deadlatching, use of cylinder/thumbturn and use of emergency accessory.

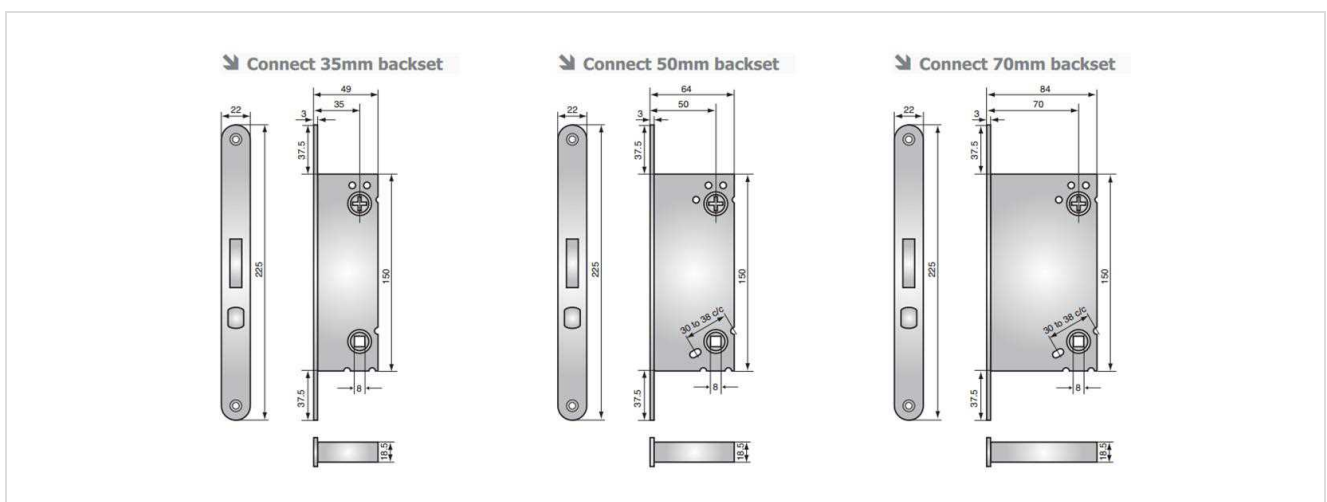


### Finish:

Product has been successfully type-tested for conformity to BS EN 12209.

Regular audit testing is undertaken.

### Technical Design:



# Emergency nightlatches light

**ASSA ABLOY**

235

235 light sprung nightlatch without lock-back

## Variants:

Code	Description
LS35759216357	CONNECT 235/70 (WITH STRIKE)