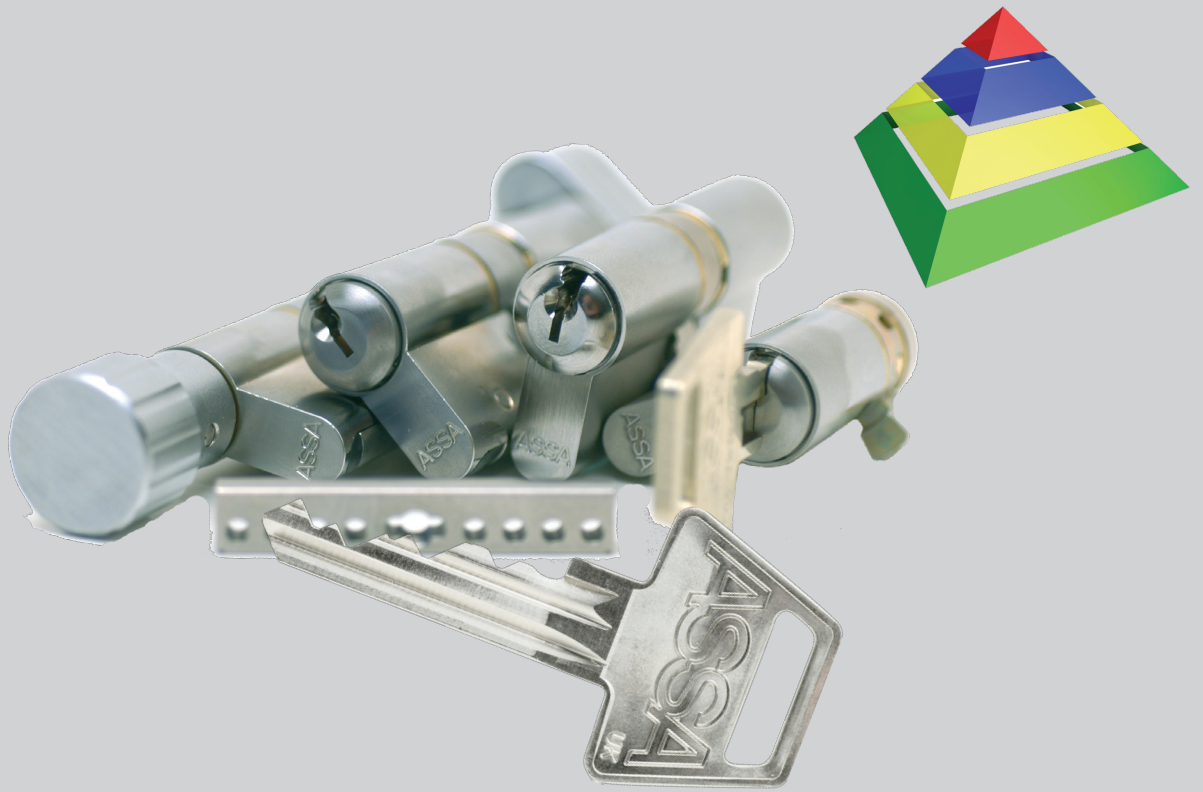


ASSA 600 Cylinder

Master Key System



Application

ASSA 600 is a High Security Cylinder within the OPEN level of ASSA security level. Recommended for use in large and complex Key Differ applications and normal design of Master Key Systems. ASSA 600 security solution is ideal for use in commercial areas, institutions, industrial and offices buildings.

Features

- High Security Cylinder
- 6-Pin tumbler system
- The ASSA 600 fulfils the requirements in EN 1303 attack resistance grade 2 with security defenders and key related security grade 6.
- Resistance to picking and manipulation.
- Controlled admittance
- Designed for frequent use




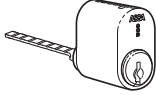



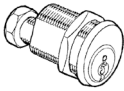
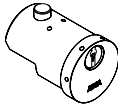
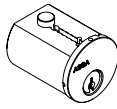
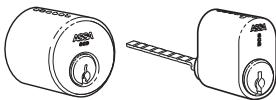
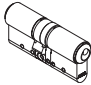
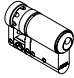
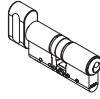
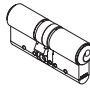
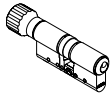
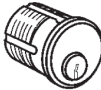
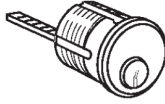

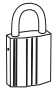

Function

ASSA 600 is available in a full range of Scandinavian and international cylinder shapes. ASSA 600 is intended for new Master Key Systems or for upgrade and Re-Key of most commonly lock sets. Cylinders and padlocks can be incorporated in the same Master key System.

ASSA[®]
ASSA ABLOY

ASSA 600 Cylinder

Master Key System

Scandinavian Oval Cylinders																																	
																																	
601	603	602	607																														
Scandinavian Round Cylinders																																	
																																	
611	613	612																															
Cam Lock	Door Tube Cylinder	Wall Tube Cylinder	Cylinder set Panic Devices																														
																																	
670	688	618	625																														
M20 EURO Cylinders																																	
																																	
6M22	6M23	6M27	6M25	6M24																													
Mortice Cylinders																																	
	<table border="0"> <tr> <td>Adams Rite</td> <td>1 1/8"</td> <td>1 1/4"</td> </tr> <tr> <td>Sargent Cam</td> <td>651A-1</td> <td>651B-1</td> </tr> <tr> <td>Corbin Clover</td> <td>651A-2</td> <td>651B-2</td> </tr> <tr> <td>Corbin Beaver</td> <td>651A-3</td> <td>651B-3</td> </tr> <tr> <td>Yale Std Cam</td> <td>651A-4</td> <td>651B-4</td> </tr> <tr> <td>Schlage L Cam</td> <td>651A-5</td> <td>651B-5</td> </tr> <tr> <td>Segal Cam</td> <td>651A-6</td> <td>651B-6</td> </tr> <tr> <td></td> <td>651A-7</td> <td>651B-7</td> </tr> </table>	Adams Rite	1 1/8"	1 1/4"	Sargent Cam	651A-1	651B-1	Corbin Clover	651A-2	651B-2	Corbin Beaver	651A-3	651B-3	Yale Std Cam	651A-4	651B-4	Schlage L Cam	651A-5	651B-5	Segal Cam	651A-6	651B-6		651A-7	651B-7		<table border="0"> <tr> <td>Horizontal Tail</td> <td>657-1</td> </tr> <tr> <td>Lazymotion Tail</td> <td>657-2</td> </tr> <tr> <td>Vertical Tail</td> <td>657-3</td> </tr> </table>	Horizontal Tail	657-1	Lazymotion Tail	657-2	Vertical Tail	657-3
Adams Rite	1 1/8"	1 1/4"																															
Sargent Cam	651A-1	651B-1																															
Corbin Clover	651A-2	651B-2																															
Corbin Beaver	651A-3	651B-3																															
Yale Std Cam	651A-4	651B-4																															
Schlage L Cam	651A-5	651B-5																															
Segal Cam	651A-6	651B-6																															
	651A-7	651B-7																															
Horizontal Tail	657-1																																
Lazymotion Tail	657-2																																
Vertical Tail	657-3																																
651		657																															
Padlocks																																	
																																	
ASSA Green	ASSA Blue	ASSA Red																															

ASSA®

ASSA ABLOY

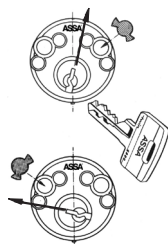
ASSA ABLOY, the global leader in door opening solutions, dedicated to satisfying end-user needs for security, safety and convenience.

ASSA AB
P.O. Box 371
SE-631 05 Eskilstuna
Sweden

phone +46 (0)16 17 70 00
fax +46 (0)16 17 72 10

Customer support:
phone +46 (0)771 640 640
fax +46 (0)16 17 73 72
e-mail: helpdesk@assa.se

www.assa.se



1. Check that the arrows on the lock case in the cylinder hole are pointing downwards at both sides of the door.
2. Mount the cylinder from the inside using enclosed screws.
3. Test the cylinder for proper operation by using the key without closing the door.
4. Block the screws with enclosed blocking plug according to the following:
 - Insert the key
 - Turn the key to 12:30 o'clock
 - Place one blocking plug between the screws on the left side of the cylinder
 - Turn the key to 9:30 o'clock
 - Place one blocking plug between the screws on the right side of the cylinder
 - Fasten accessories