

Deadlocks

9788

9788 high security deadlock

ASSA ABLOY

Application:

Locks for entrance doors, corridor and other swing doors with door pulls and push plates. Also as a secondary lock on any door.

Available with single cylinder and thumbturn, or alternatively with double cylinders or single cylinder only.

Supplied as standard with striking plate. Cylinder and accessories bolt through lockcase for added strength.

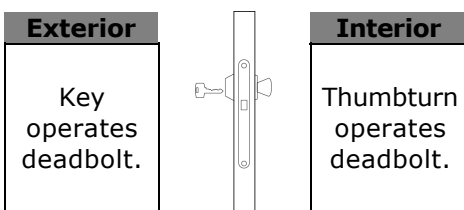
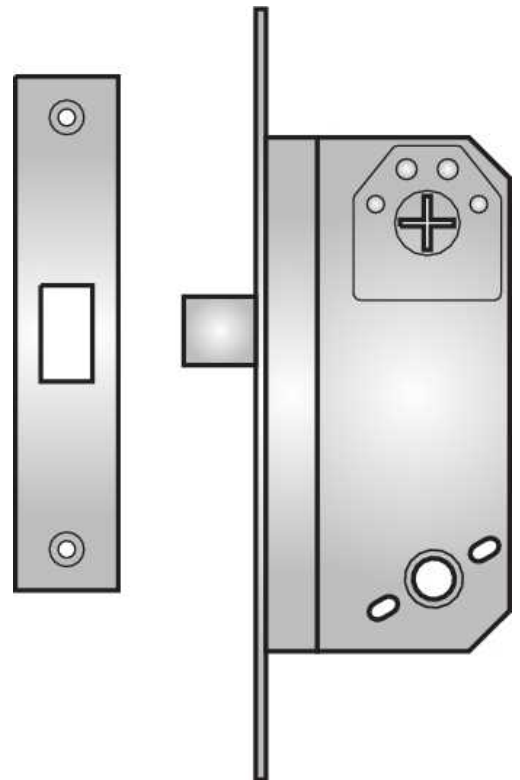
Key can be removed in locked or unlocked position.

For finishes and dimensions see Lockcases Information appendix.

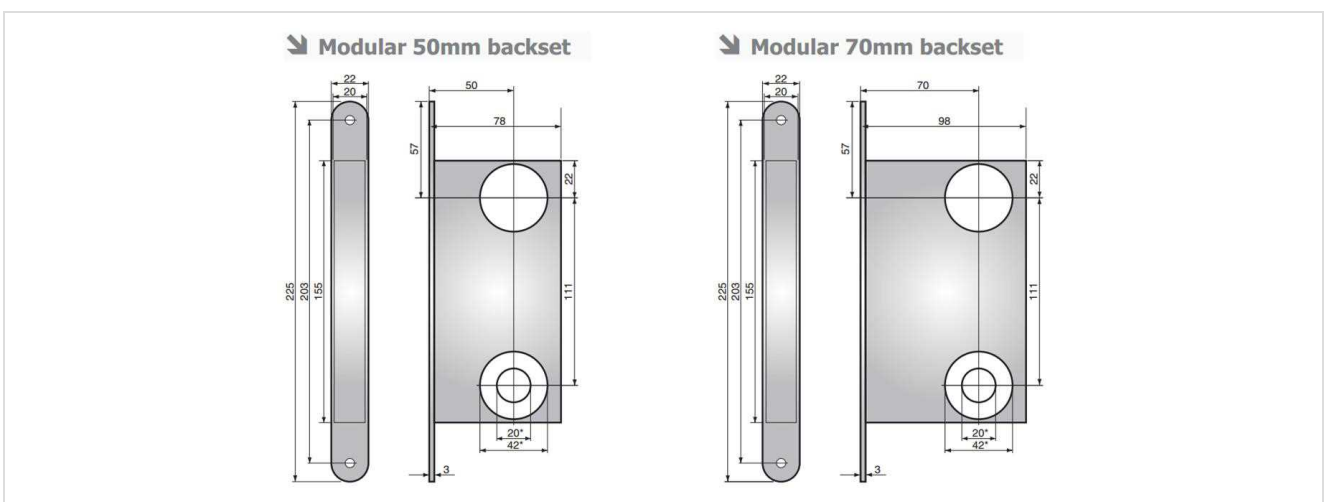
When ordering please specify door thickness.

Specification:

Hardened steel deadbolt thrown 21mm by single 360° turn of key or thumbturn. Supplied with high security box striking plate. Available with either 50mm or 70mm backset.



Technical Design:



Variants:

Code	Description
46910912713	9788 50MM LOCKSET
46910935757	9788 50MM MICROSWITCH M3 *SPECIAL*
80647212713	9788 70MM LOCKSET