

Special sash lock

2000

2000 sash lock

ASSA ABLOY

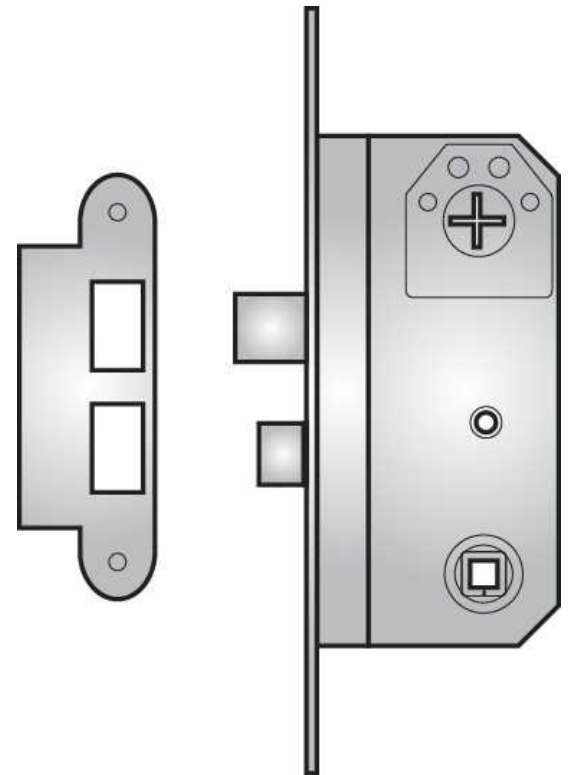
Application:

For external doors on houses. Allows free escape in a fire, but if the building is left empty the lock will prevent intruders opening the door from inside. It thus complies with the access/egress requirements of both BS 3621 and BS 8621.

Supplied with double cylinder and thumbturn, which is recommended for safety reasons. May also be fitted with a single external cylinder.

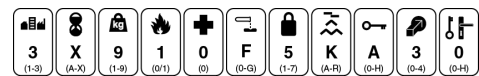
Supplied as standard as a complete package, with 4802 double cylinder with 3 keys, cylinder rings, pair of 640 handles, security striking plate and pair of backplates. Cylinder and accessories bolt through lockcase for strength. For finishes and dimensions see Lockcases Information appendix.

When ordering please specify hand and door thickness.



Specification:

Hardened steel deadbolt thrown 21mm by 360° turn of key or thumbturn. Latchbolt reversible without opening lockcase. Available with 50mm backset only.

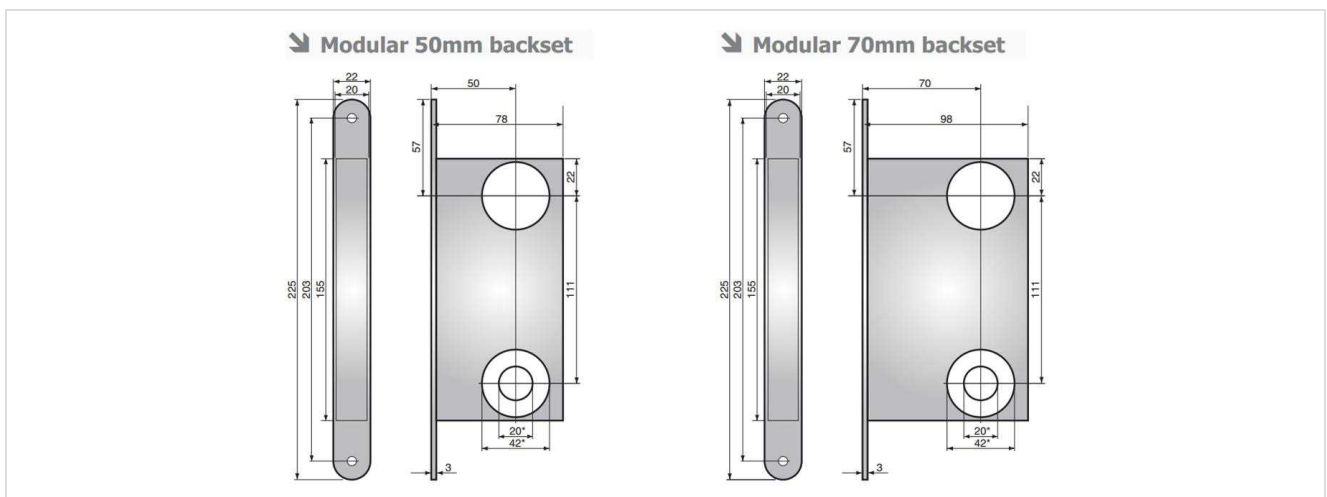


Finish:

Product has been successfully type-tested for conformity to BS EN 12209.

Regular audit testing is undertaken.

Technical Design:



Special sash lock

2000

2000 sash lock

ASSA ABLOY

Variants:

Code	Description
80258862313	Special sash lock