

Mortice latch

1498

1498 latch

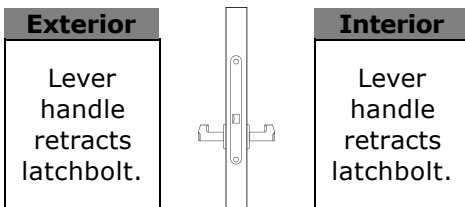
ASSA ABLOY

Application:

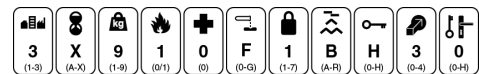
Latch for inner doors where locking is not required.
Comes complete with striking plate.
For finishes and dimensions see Lockcases Information appendix.
When ordering please specify hand and door thickness.

Specification:

Latch for inner doors, supplied with striking plate. Latchbolt reversible without opening lockcase. No locking device. For use with lever handles. Available with either 50mm or 70mm backset.

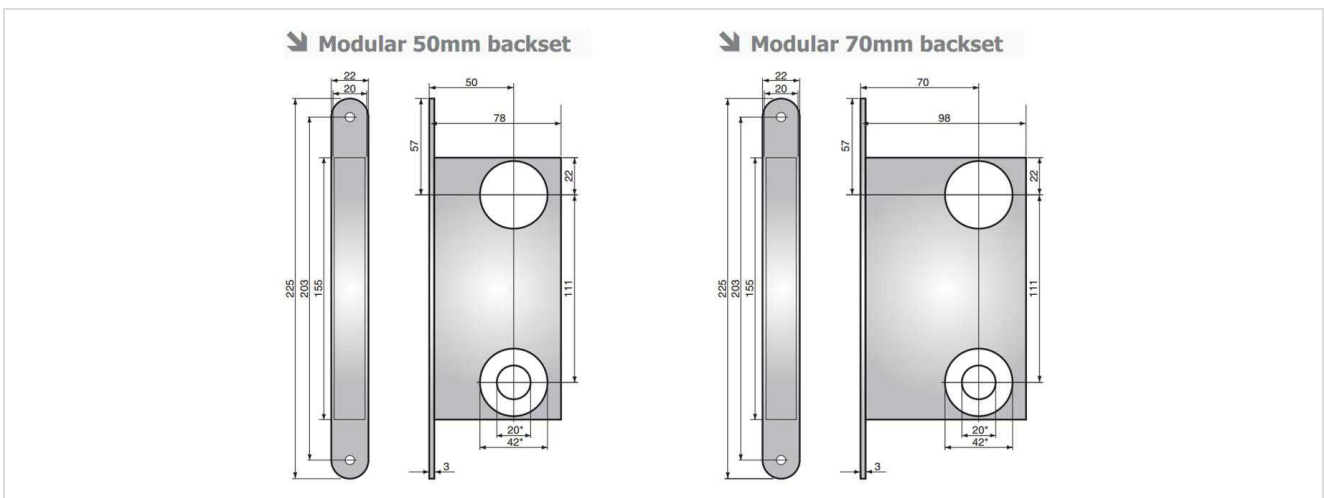


Finish:



Product has been successfully type-tested for conformity to BS EN 12209.
Regular audit testing is undertaken.

Technical Design:



Mortice latch

1498

1498 latch

ASSA ABLOY

Variants:

Code	Description
46911962313	1498 50MM LATCHSET
46911962320	1498 50MM LATCHSET
80306162313	1498 70MM LATCHSET
80306162320	1498 70MM LATCHSET
46911510713	1498 FACEPLATE