

Narrow profile hookbolt lock

13787

13787 hookbolt lock

ASSA ABLOY

Application:

Special high security hook bolt lock for narrow profile doors. Recommended for shop doors, as well as other glazed doors where a higher degree of security is required.

Available with double cylinders and accessories, or alternatively with single cylinder only.

Supplied as standard without striking plate. Optional high security striking plate (Ref: 46 88 97) available.

Cylinder and accessories bolt through lockcase for added strength. Key can be removed in locked or unlocked position.

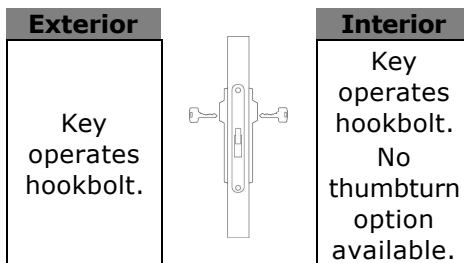
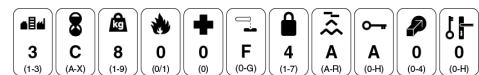
For finishes and dimensions see Lockcases Information appendix.

When ordering please specify door thickness.



Specification:

Lock is key operated on either side of door. Lock has removable faceplate and a swing type hookbolt which is locked by a single 360° turn of key. Special striking plate with countersunk fixing in narrow profile door frames of steel or light metal. Lockcase and striking plate of bright zinc plated steel. Cylinder and accessories chrome plated. Available with 28mm backset only.



Finish:

Product has been successfully type-tested for conformity to BS EN 12209.

Regular audit testing is undertaken.

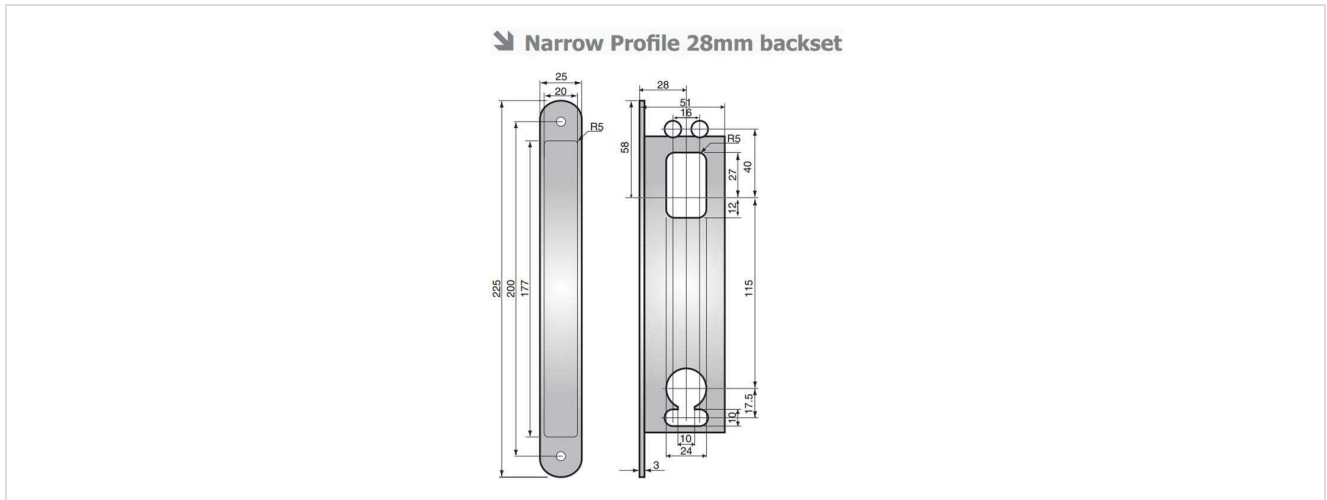
Narrow profile hookbolt lock

13787

13787 hookbolt lock

ASSA ABLOY

Technical Design:



Variants:

Code	Description
46857310757	13787 28MM LOCKCASE