

# Q Profile knob cylinder SX

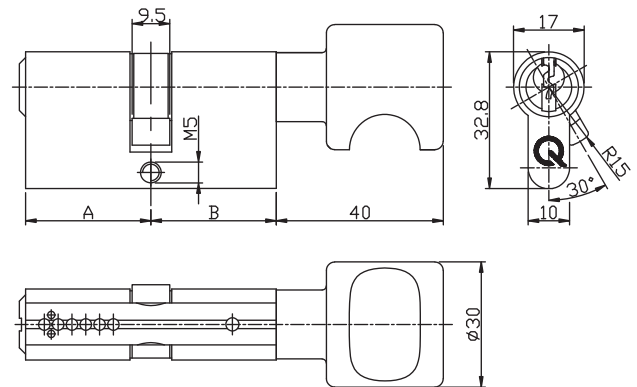
greenteQ 6-pin profile-cylinder, EN 1303:2005/AC:2008 and FZG 2010\_01 certified.

## Properties:

greenteQ profile knob cylinder SX are made off brass matt nickel-plated and the standard cylinder has a 6 pin system. They are tested and certified according to EN 1303:2005/AC:2008 and FZG 2010\_01. The basic length of the greenteQ knob double cylinders SX is 30/30mm; available extensions at one or both sides each by 5mm are possible. The cylinders are delivered with 3 keys. greenteQ profile knob cylinders SX are keyed different (every cylinder has individual

locking. The 3 keys delivered with the cylinder aren't useable for other cylinders) or keyed alike (all cylinders with the same locking could be opened or closed with one key). If needed key blank for keyed different cylinders or keys for keyed alike cylinders are available.

## Product picture and technical drawing:



## Technical data:

Material of profile cylinder	brass
Surface	satın nickel-plated
Pins	6
Certification acc. to	EN 1303:2005/AC:2008; FZG 2010_01
Keys	3
Fixing screw	M5 x 50 mm and M5 x 80 mm
Packing unit	1 piece

(10 pieces per box / 50 pieces in carton)

## Certificationkey acc. to EN 1303 : 2005 / AC:2008

1	2	3	4	5	6	7	8
Category of use	Durability	Door mass	Fire resistance	Safety	Corrosion resistance and temperature	Key related security	Attack resistance
1	6	0	0	0	C	6	0

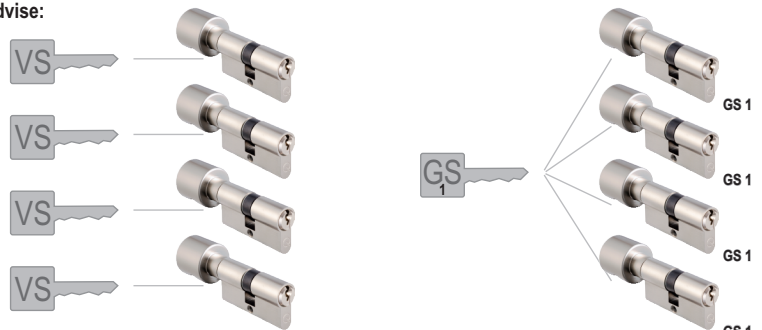


The greenteQ Profile knob cylinders SX are available in the following versions:

### Length A / B (Type)

30 / K30 mm (SX 60)	40 / K55 mm (SX 95)
30 / K35 mm (SX 65)	45 / K30 mm (SX 75)
30 / K40 mm (SX 70)	45 / K35 mm (SX 80)
30 / K45 mm (SX 75)	45 / K40 mm (SX 85)
35 / K30 mm (SX 65)	45 / K45 mm (SX 90)
35 / K35 mm (SX 70)	45 / K50 mm (SX 95)
35 / K40 mm (SX 75)	50 / K35 mm (SX 85)
35 / K45 mm (SX 80)	50 / K40 mm (SX 90)
35 / K50 mm (SX 85)	50 / K45 mm (SX 95)
35 / K55 mm (SX 90)	50 / K50 mm (SX 100)
40 / K30 mm (SX 70)	55 / K35 mm (SX 90)
40 / K35 mm (SX 75)	55 / K40 mm (SX 95)
40 / K40 mm (SX 80)	60 / K40 mm (SX 100)
40 / K45 mm (SX 85)	60 / K45 mm (SX 105)
40 / K50 mm (SX 90)	65 / K40 mm (SX 105)

### Advise:



VS: keyed different, GS (1-3): keyed alike

## PRODUCT DATA SHEET

### CYLINDER - Profile knob cylinder SX

Instructions for use, performance and product data, and all other technical data for greenteQ products are general guidelines only. They describe the performance characteristics and material composition of our products. However, they constitute no guarantee according to § 443 BGB. Due to the various application possibilities it is the user's sole responsibility to satisfy himself that the product is adequate for his intended purpose. Any technical consultation with VBH, whether verbal, written or in the form of test samples is for your information only and is absolutely non-committal.

greenteQ

Edition 06/2014 | www.vbh.de