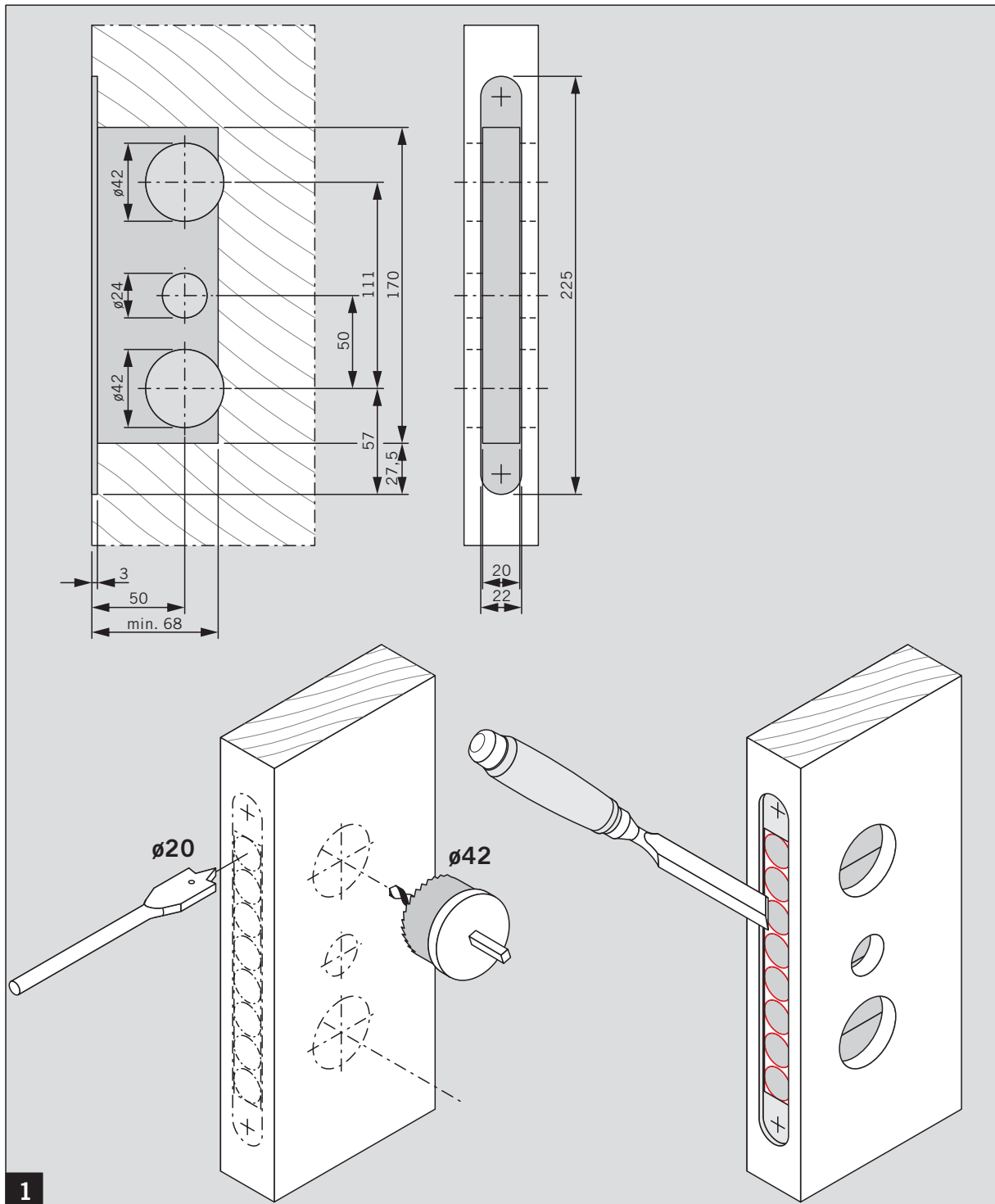
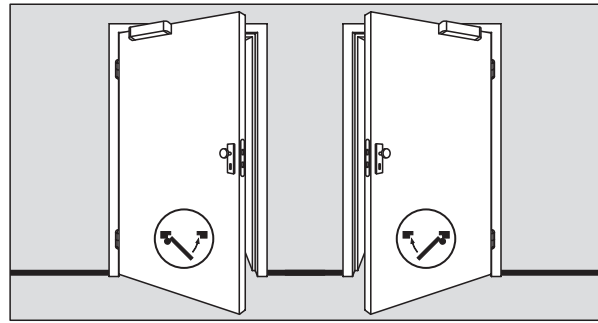
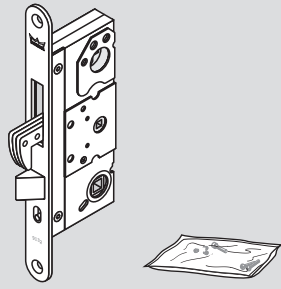
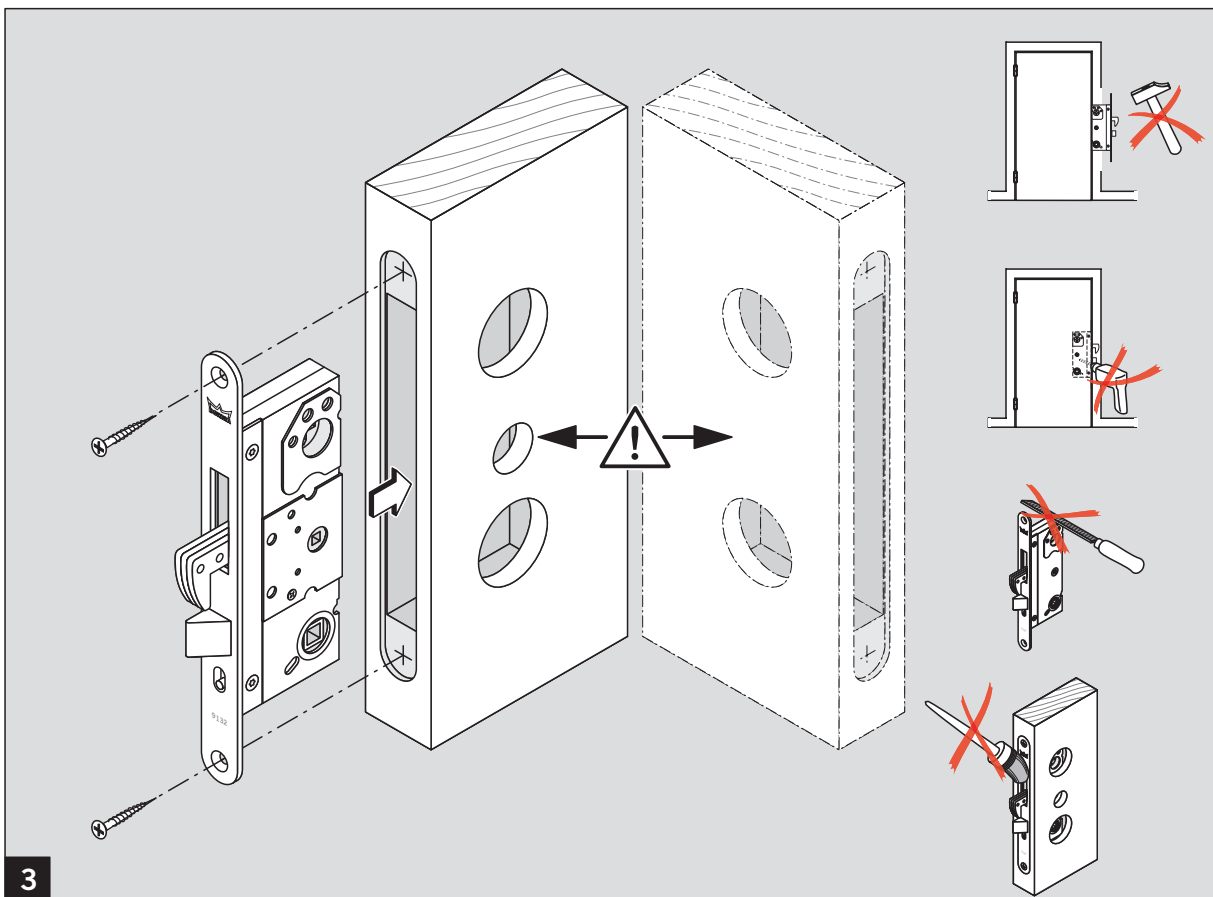
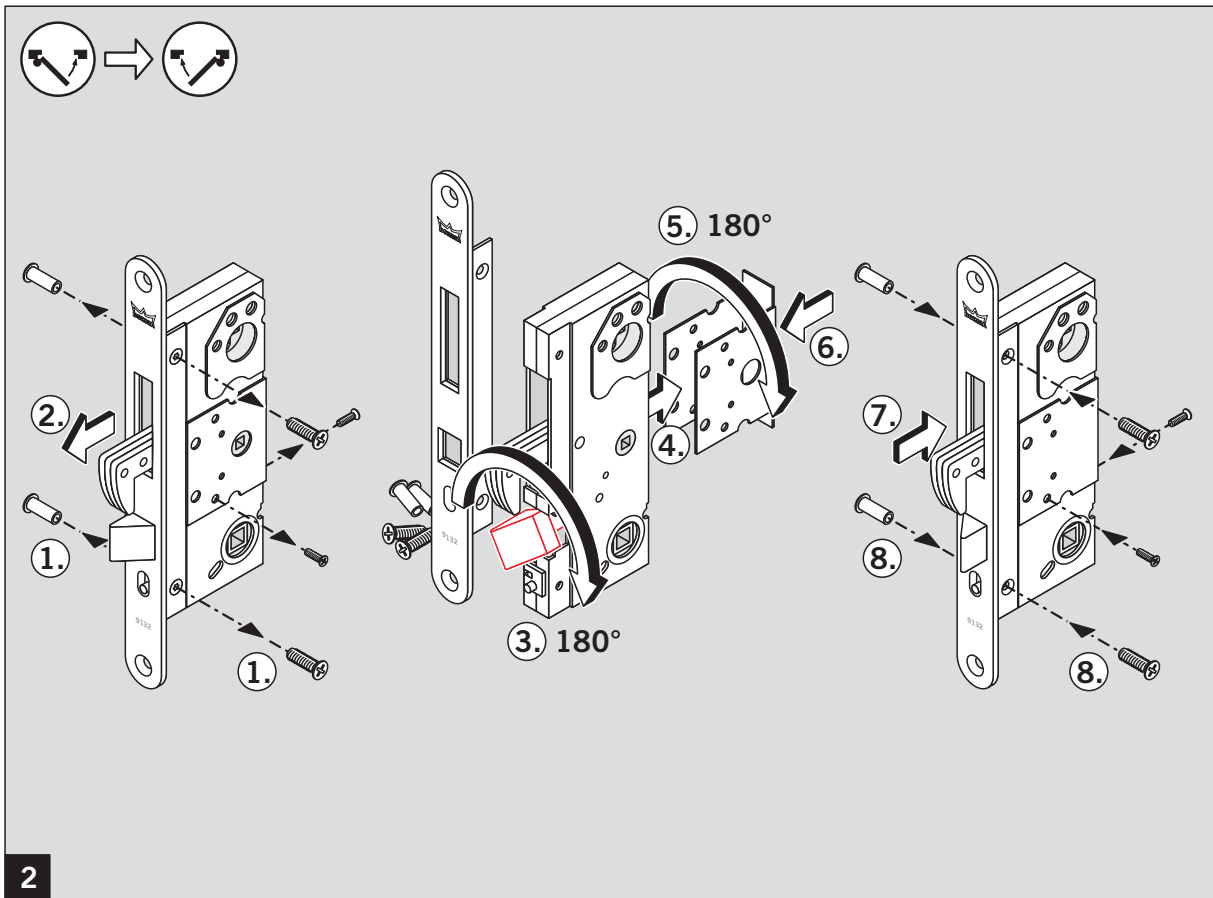
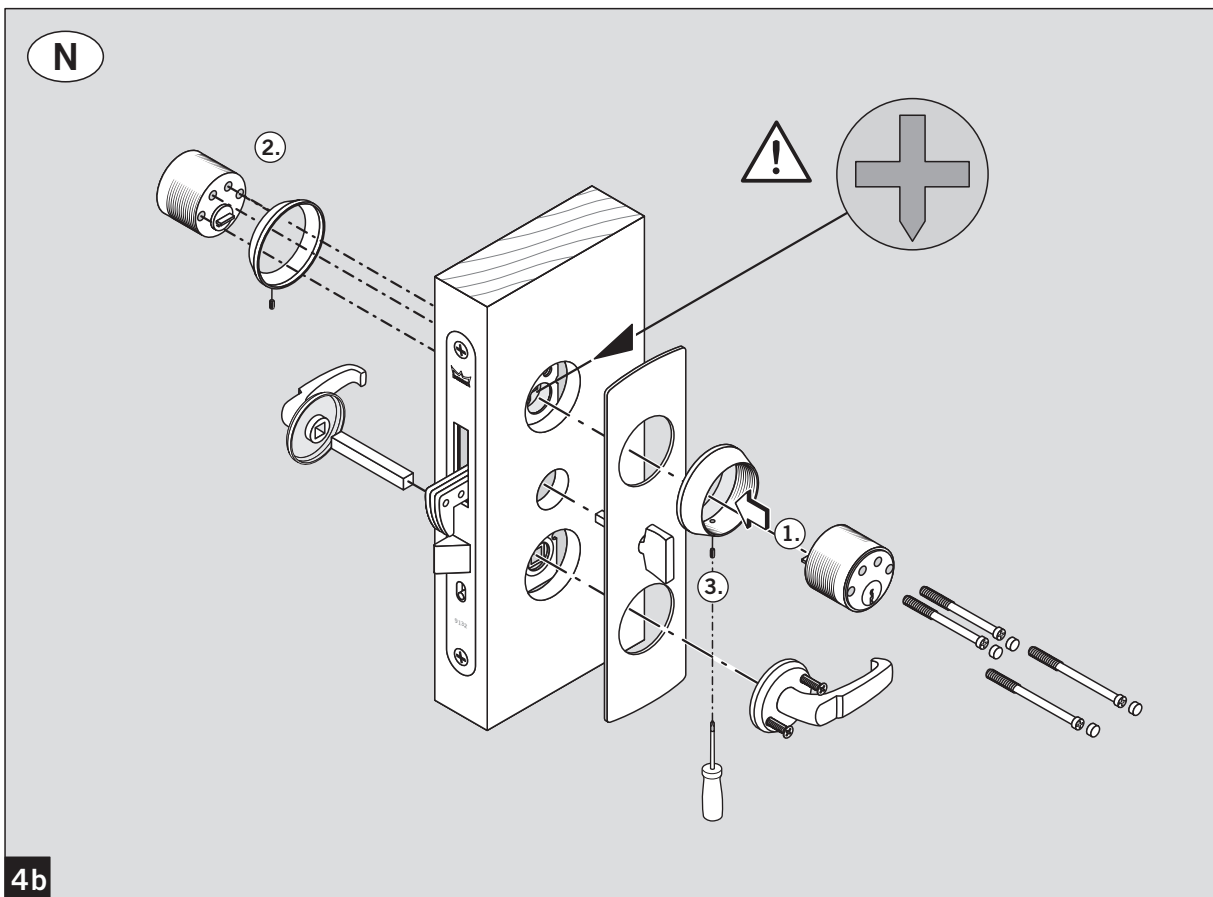
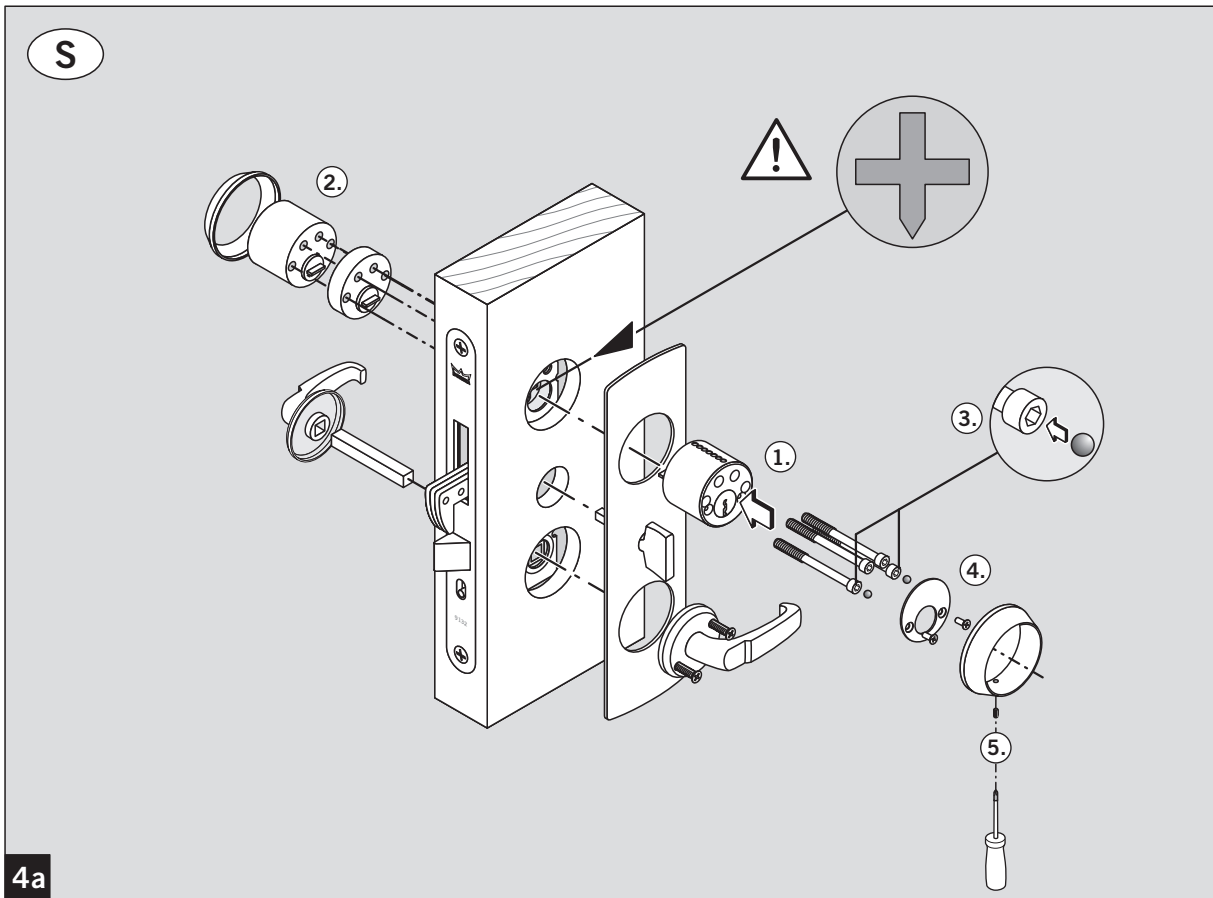


WN 057578-45532 08/09
 30.055 10.2
 Art.-No. 705000007103

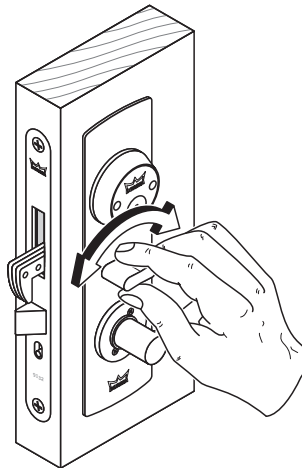
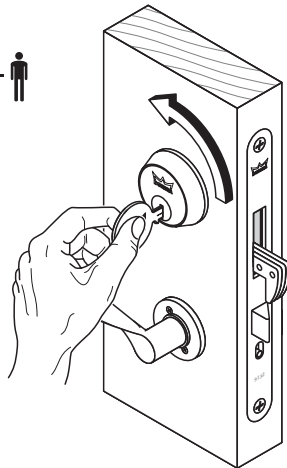
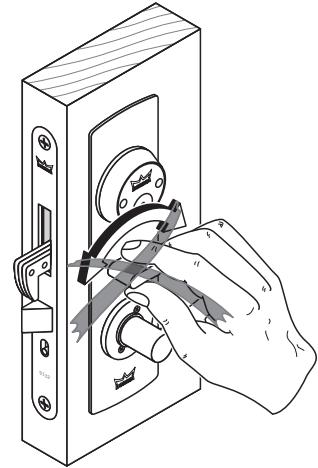
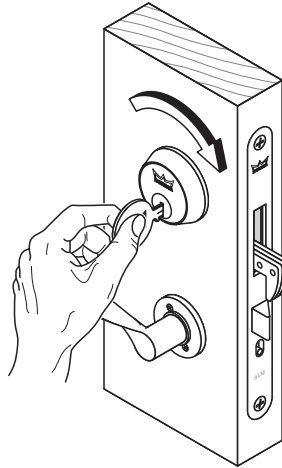
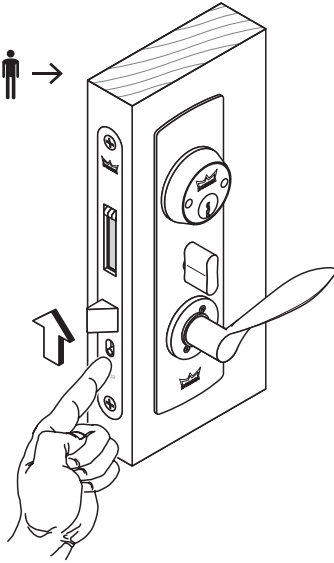
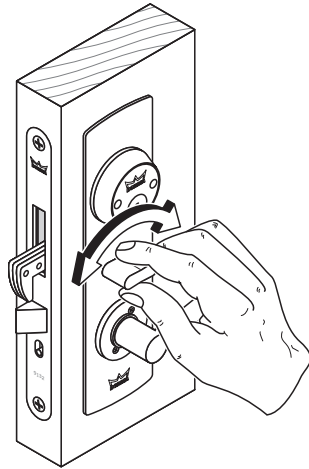
**DL 9132
 Duo**







How to use DORMA Duo



Änderungen vorbehalten
Subject to change without notice