

Q Profile double cylinder SX

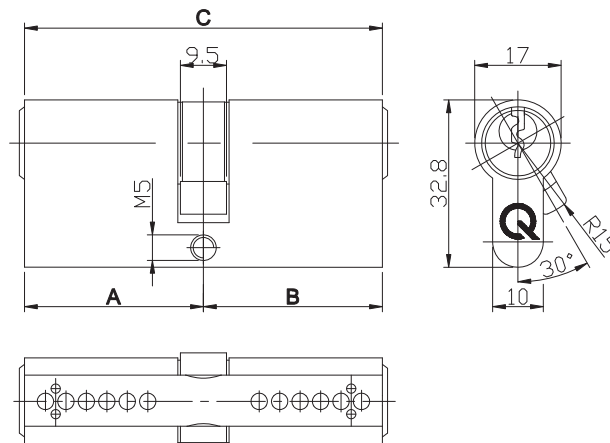
greenteQ 6-pin profile-cylinder with emergency-function, EN 1303:2005/AC:2008 and FZG 2010_01 certified.

Description:

greenteQ profile double cylinder SX are made off brass matt nickel-plated and the standard cylinder has a 6 pin system with emergency function (bilateral opening). They have been tested according to EN 1303:2005/AC:2008 and FZG 2010_01. The basic length of the greenteQ profile double cylinders SX is 30/30mm; available extensions at one or both sides each by 5mm are possible. The cylinders are delivered with 3 keys.

greenteQ profile double cylinders SX are keyed different (every cylinder has individual locking. The 3 keys delivered with the cylinder aren't useable for other cylinders) or keyed alike (all cylinders with the same locking could be opened or closed with one key). If needed key blank for keyed different cylinders or keys for keyed alike cylinders are available.

Picture and Drawing:



Technical Data:

Material of profile cylinder	brass
Surface	satın nickel-plated
Pins	6
Emergency function	yes
Certified acc. to	EN 1303:2005/AC:2008; FZG 2010_01
Keys	3
Fixing screw	1x M5 x 50 mm and 1x M5 x 80 mm
Packing unit	1 piece

(10 pieces per box / 50 pieces in carton)

Certificationkey acc. to EN 1303 : 2005 / AC:2008

1	2	3	4	5	6	7	8
Category of use	Durability	Door mass	Fire resistance	Safety	Corrosion resistance and temperature	Key related security	Attack resistance
1	6	0	0	0	C	6	0

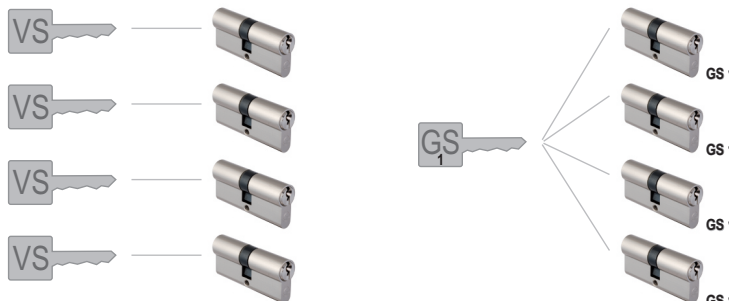


The greenteQ Profile double cylinders SX are available in the following versions:

Length A / B (Type)

30 / 30 mm (SX 60)	35 / 70 mm (SX 105)
30 / 35 mm (SX 65)	40 / 40 mm (SX 80)
30 / 40 mm (SX 70)	40 / 45 mm (SX 85)
30 / 45 mm (SX 75)	40 / 50 mm (SX 90)
30 / 50 mm (SX 80)	40 / 55 mm (SX 95)
30 / 55 mm (SX 85)	40 / 60 mm (SX 100)
30 / 60 mm (SX 90)	40 / 65 mm (SX 105)
30 / 65 mm (SX 95)	40 / 70 mm (SX 110)
30 / 70 mm (SX 100)	45 / 45 mm (SX 90)
30 / 75 mm (SX 105)	45 / 50 mm (SX 95)
35 / 35 mm (SX 70)	45 / 55 mm (SX 100)
35 / 40 mm (SX 75)	45 / 60 mm (SX 105)
35 / 45 mm (SX 80)	45 / 65 mm (SX 110)
35 / 50 mm (SX 85)	50 / 50 mm (SX 100)
35 / 55 mm (SX 90)	50 / 55 mm (SX 105)
35 / 60 mm (SX 95)	50 / 60 mm (SX 110)
35 / 65 mm (SX 100)	

Advise:



VS: keyed different, GS (1-5): keyed alike

PRODUCT DATA SHEET

CYLINDER - Profile double cylinder SX

Instructions for use, performance and product data, and all other technical data for greenteQ products are general guidelines only. They describe the performance characteristics and material composition of our products. However, they constitute no guarantee according to § 443 BGB. Due to the various application possibilities it is the user's sole responsibility to satisfy himself that the product is adequate for his intended purpose. Any technical consultation with VBH, whether verbal, written or in the form of test samples is for your information only and is absolutely non-committal.

greenteQ

Edition 10/2014 | www.vbh.de